

PRODUCT CATALOGUE

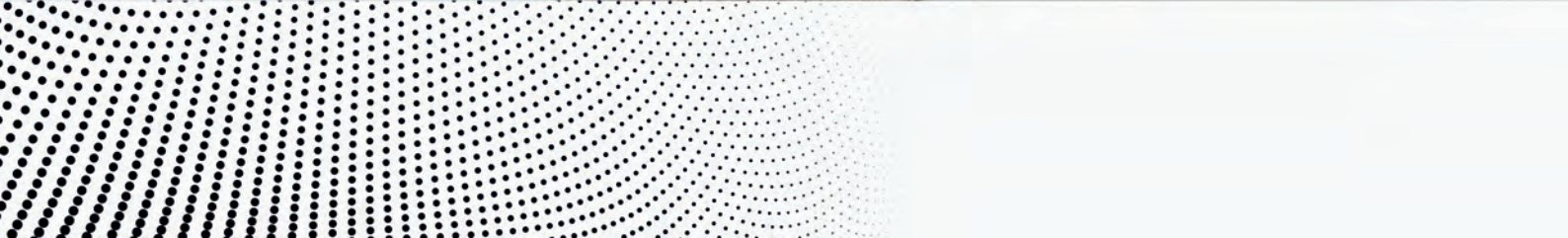
PRODUCT CATALOGUE

PRODUCT CATALOGUE

BLOWHOT KITCHEN APPLIANCES BLOWHOT KITCHEN APPLIANCES



K I T C H E N A P P L I A N C E S

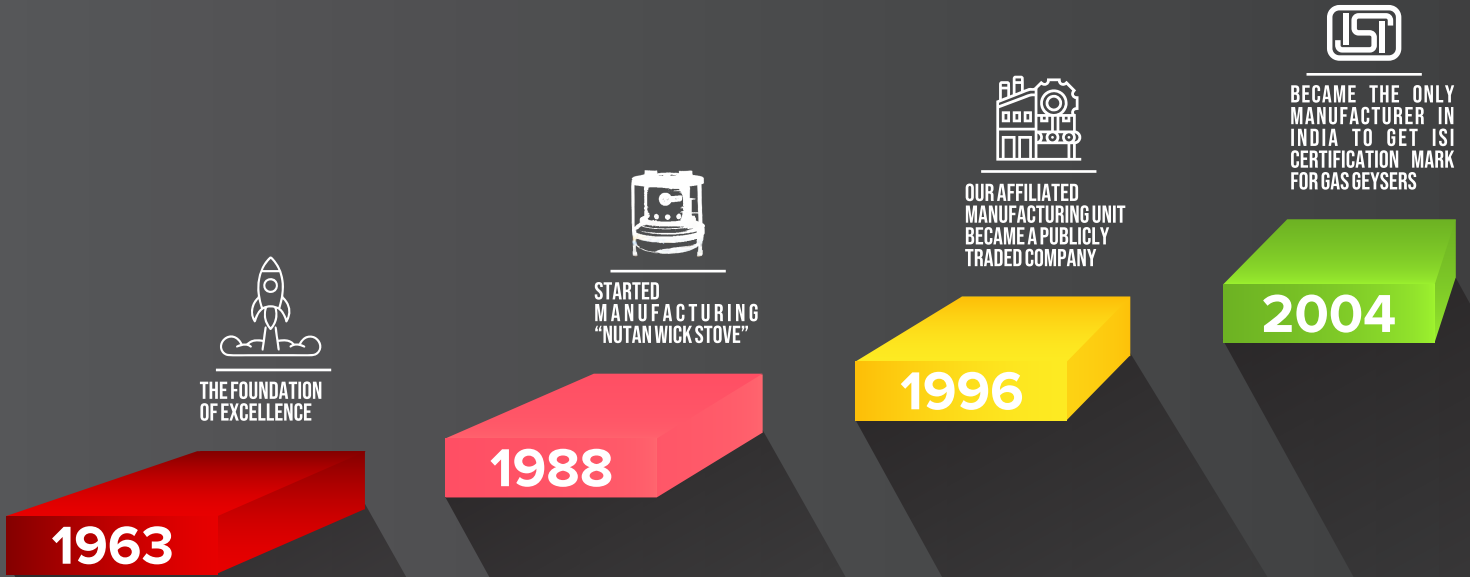




The Heartbeat of
Every Kitchen

At Blowhot, we believe that the heart of every home is the kitchen. Our mission is to enhance your culinary journey with appliances that blend cutting-edge technology, superior quality, and elegant design. Whether you're a seasoned chef or a home cook, our products are designed to inspire creativity, simplify tasks, and elevate your kitchen experience.

Thank you for choosing us!



KEY HIGHLIGHTS

The Iconic Nutan Wick Stove of 1988

13 Product Categories

150+ SKUs

2 Manufacturing Houses



WE MANUFACTURED A RANGE OF PRODUCTS FOR RENOWNED BRANDS AS AN OEM FROM OUR MANUFACTURING UNIT

2004-2018



BLOWHOT LAUNCHED ITS FIRST PRODUCT LINE, ESTABLISHING THE BRAND'S PRESENCE IN THE MARKET

2018



LAUNCHED FLAGSHIP STORES IN VARIOUS LOCATIONS ACROSS INDIA

2019



NEW STATE OF THE ART PRODUCTION FACILITY FOR ELECTRIC GEYSERS, INDUCTIONS & STOVES

2024

THE JOURNEY SO FAR



Design Patented Tornado Burners



1st in India to have ISI Certification for Gas Geysers



150+ Distributors



10,000+ Active Dealers



500+ Service Centres across India



20+ States (Presence)

We Are The
Pioneers

Since 1963, Blowhot has been a name synonymous with innovation, quality, and reliability in the kitchen appliances industry. Beginning its journey with the iconic "Nutan Wick Stove," Blowhot laid a strong foundation that would eventually see it become one of India's most trusted brands. Since its launch in 2018, Blowhot has quickly set itself apart by achieving remarkable milestones and setting new standards in the industry.





Envisioning A **Bright Future**

Our journey from the "Nutan Wick Stove" to becoming leaders in kitchen appliance innovation is a testament to our relentless pursuit of excellence. As we continue to innovate and expand, we remain committed to delivering products that not only meet but exceed the expectations of our customers. With a focus on enhancing the culinary experience through advanced technology, we ensure that every kitchen in India benefits from our pioneering spirit and technological advancements. Our unwavering commitment to quality and innovation positions us as true vanguards in the kitchen appliances industry, paving the way for a smarter and more efficient future in Indian homes.



INDEX

Kitchen Chimneys	—	09-15
Gas Hobs	—	16-19
Gas Stoves	—	20-23
Geysers	—	24-27
Induction Infrared Tops	—	28-29
OTGs	—	30-31
Juicer Mixer Grinders	—	32-34
Built-in Ovens	—	35-36
Dishwashers	—	37-38





KITCHEN CHIMNEYS

HEALTH DESERVES THE BEST

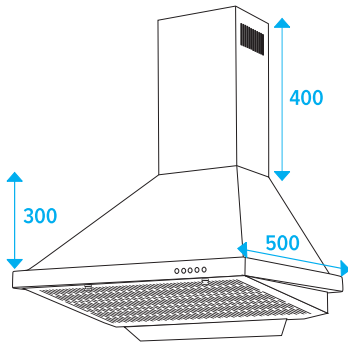
Designed with advanced Touch & Motion Sensor Technology, our Kitchen Chimneys are Sleek and Efficient, and provide an effortless cleaning experience that helps you keep your kitchen in shape. With a wide range to choose from, our kitchen chimneys add functionality to your kitchen, keeping your kitchen and health in perfect shape!

ELEMENTARY SERIES

ARIEL BPC FILTERLESS (60)



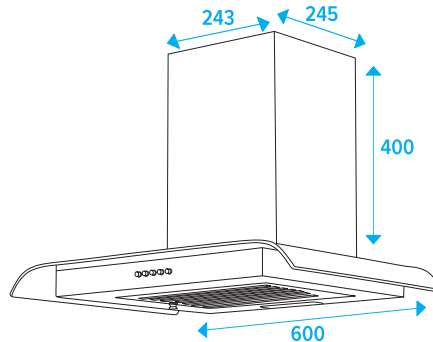
MRP ₹ 13,990



SPECTRA PLUS BPC (60)



MRP ₹ 13,990



Ariel Specific Features:

- Filterless Technology
- Equipped with a large Stainless Steel oil cup

Spectra Specific Features:

- Large Baffle filter
- Curved Glass Design

Common Features:

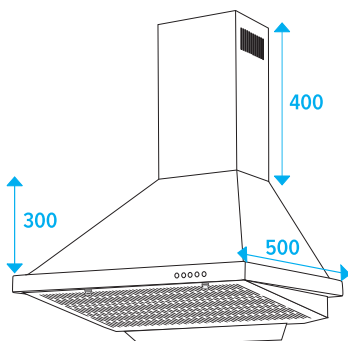
- Airflow: 1,150m³/h
- 3 Speed Push control Buttons
- Available in 60 CM
- Black Powder Coated Body
- Bright LED Light

5 Years Warranty* On Motor (Ariel & Spectra)	2 Years Warranty* On Push Control Switches
1 Year General Warranty*	

EVA BPC (SQUARE FRONT)



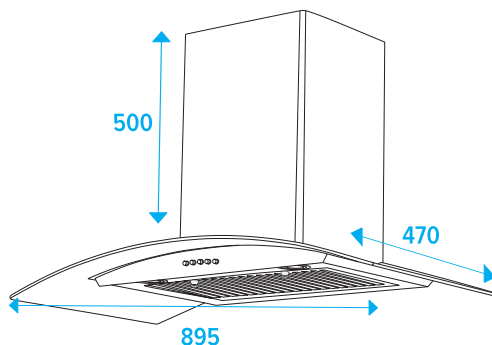
MRP ₹ 16,990



ELECTRA BPC



60CM : MRP ₹ 21,990 | 90CM : MRP ₹ 23,990



Eva Features:

- Filterless Technology
- Equipped with a large Stainless Steel oil cup
- Available in 60 CM
- Airflow: 1,350m³/h
- 3 Speed Push control Buttons
- Black Powder Coated Body
- Bright LED Light

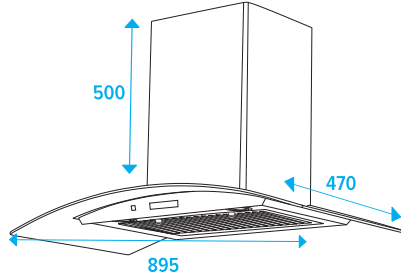
Electra Features:

- Filterless Technology
- Equipped with a large Stainless Steel oil cup
- Available in both 60 & 90 CM
- Airflow: 1,350m³/h
- 3 Speed Push control Buttons
- Black Powder Coated Body
- Bright LED Light
- Curved Glass Design

12 Years Warranty* on Motor (for ELECTRA)	10 Years Warranty* on Motor (for EVA)	2 Years Warranty* On Blower & PCB
1 Year General Warranty (EVA)*		
2 Years General Warranty (ELECTRA)*		

ESSENTIAL SERIES

ELECTRA BAC MS

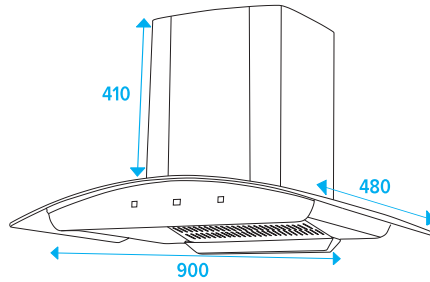


- Airflow: 1,350m³/h
- Motion Sensor Gesture with 3 Speed Feather Touch control
- Heat Auto-clean with Filterless Technology
- Equipped with a large Stainless Steel oil cup
- Exclusive Curved Glass Design with Digital Display
- Bright LED Lights
- Available in both: 60 & 90 CM

60CM : MRP ₹ 25,990

90CM : MRP ₹ 27,990

CAMELLIA BAC MS



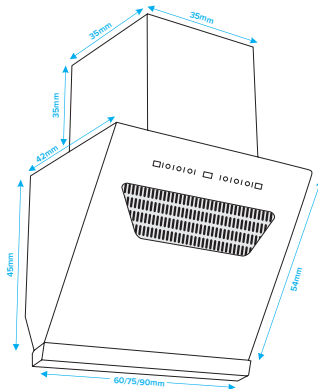
- Airflow: 1,500m³/h
- Motion Sensor Gesture with 3 Speed Feather Touch control
- Heat Auto-clean with Filterless Technology
- Equipped with a large Stainless Steel oil cup
- Exclusive Curved Glass Design with Digital Display
- Bright LED Lights
- Available in: 60, 75 & 90 CM

60CM : MRP ₹ 25,990

75CM : MRP ₹ 26,990

90CM : MRP ₹ 27,990

DIVINA BAC MS



- Airflow: 1,500m³/h
- Motion Sensor Gesture with 3 Speed Feather Touch control
- Heat Auto-clean with Filterless Technology
- Equipped with a large Stainless Steel oil cup
- Bright LED Light
- Available in: 60, 75 & 90 CM

60CM : MRP 26,990

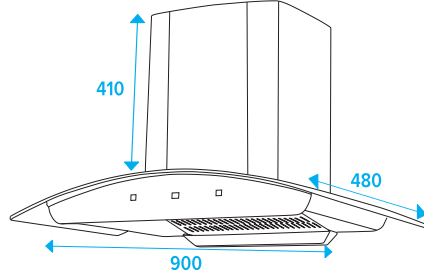
75CM : MRP 28,990

90CM : MRP 29,990

12 Years Warranty* on Motor (for ELECTRA)	15 Years Warranty* on Motor (for CAMELLIA & DIVINA)	2 Years Warranty* On Blower & PCB
2 Years General Warranty*		

ESSENTIAL SERIES

ERICA PLUS BAC MS

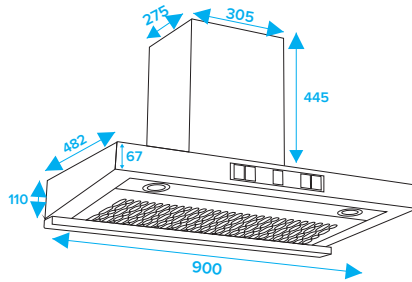


- Airflow: 1,650m³/h
- Motion Sensor Gesture with 3 Speed Feather Touch control
- Heat Auto-clean with Filterless Technology
- Equipped with a large Stainless Steel oil cup
- Exclusive Curved Glass Design with Digital Display
- Bright LED Lights
- Available in both: 60 & 90 CM

60CM : MRP ₹ 28,990

90CM : MRP ₹ 30,990

ESTELLA BAC MS

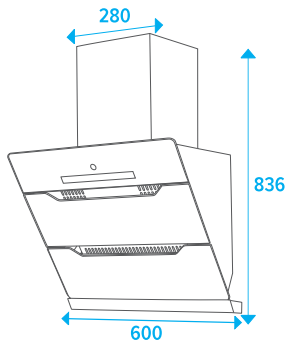


- Airflow: 1,500m³/h
- Motion Sensor Gesture with 3 Speed Feather Touch control
- Heat Auto-clean with Filterless Technology
- Equipped with a large Stainless Steel oil cup
- Exclusive T-Shape Design with Large Digital Display
- Bright LED Lights
- Available in both: 60 & 90 CM

60CM : MRP ₹ 31,990

90CM : MRP ₹ 35,990

ORNATE BAC MS BLACK



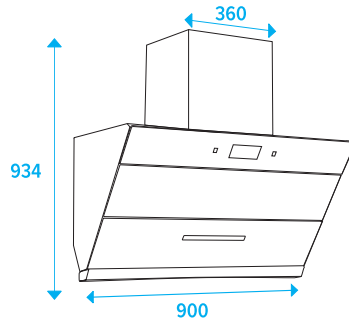
- Airflow: 1,450m³/h
- Motion Sensor Gesture with 3 Speed Feather Touch control
- Heat Auto-clean with Filterless Technology
- Equipped with a large Stainless Steel oil cup
- Bright LED Light
- Available in only 60 cm

60CM : MRP ₹ 26,990

15 Years Warranty* on Motor (for ORNATE & ERICA PLUS)	12 Years Warranty* on Motor (for ESTELLA)	2 Years Warranty* On Blower & PCB
2 Years General Warranty*		

EXQUISITE SERIES

LEIA BAC MS



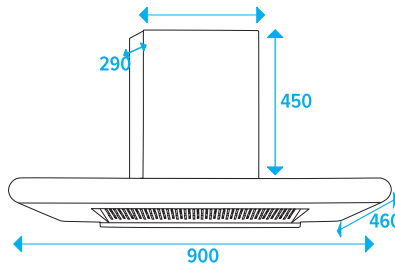
- Airflow: 1,500m³/h
- Motion Sensor Gesture with 3 Speed Feather Touch control
- Heat Auto-clean with Filterless Technology
- Equipped with a large Stainless Steel oil cup
- Exclusive Wide Flip Auto Open Design
- Bright LED Light
- Available in: 60, 75 & 90 CM

60CM : MRP ₹ 37,990

75CM : MRP ₹ 38,990

90CM : MRP ₹ 39,990

ASTRA BAC MS

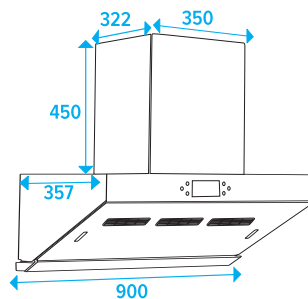


- Airflow: 1,300m³/h
- Motion Sensor Gesture with 3 Speed Feather Touch control
- Heat Auto-clean with Filterless Technology
- Equipped with a large Stainless Steel oil cup
- Beautiful Multicolour Digital Display
- Bright LED Light
- Available in both: 60 & 90 CM

60CM : MRP ₹ 29,990

90CM : MRP ₹ 31,990

TASHIA BAC MS



- Airflow: 1,300m³/h
- Motion Sensor Gesture with 3 Speed Feather Touch control
- Heat Auto-clean with Filterless Technology
- Equipped with a large Stainless Steel oil cup
- 4 Way Suction (90 cm) / 3 Way Suction (60 cm)
- Exclusive Motorized Bottom Sliding Design with Beautiful Full Glass Front
- Bright LED Light
- Available in both: 60 & 90 CM

60CM : MRP ₹ 41,990





90CM : MRP ₹ 43,990

15 Years Warranty* on Motor (for LEIA & TASHIA)	12 Years Warranty* on Motor (for ASTRA)	2 Years Warranty* On Blower & PCB
2 Years General Warranty*		

QUIET ON SERIES

BLDC MOTOR
THE HEART OF SMARTER QUIETER CHIMNEY



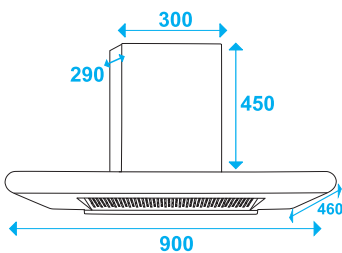
-  LESS POWER CONSUMPTION
-  MORE EFFICIENT & SILENT
-  HIGHER RPM WITH 9 SPEED CONTROL
-  LONGER LIFE SPAN

ASTRA BAC MS BLDC



60CM : MRP ₹ 33,990

90CM : MRP ₹ 35,990



- **Airflow: 1,600m³/h**
- Motion Sensor Gesture with 9 Speed Feather Touch control
- Beautiful Digital Display with Exhaust Mode
- Heat Auto-clean & Filterless Technology
- Equipped with a large Stainless Steel oil cup
- BLDC - Inverter Motor Technology
- Available in both: 60 & 90 CM

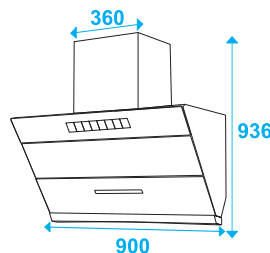
LEIA BAC MS BLDC



60CM : MRP ₹ 43,990

75CM : MRP ₹ 44,990

90CM : MRP ₹ 45,990



- **Airflow: 1,750m³/h**
- Motion Sensor Gesture with 9 Speed Feather Touch control
- Beautiful Digital Display
- Heat Auto-clean & Filterless Technology
- BLDC - Inverter Motor Technology
- Exclusive Wide Flip Auto Open Design
- Available in: 60, 75 & 90 CM

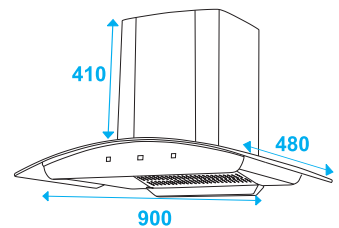
ERICA BAC MS BLDC



60CM : MRP ₹ 32,990

75CM : MRP ₹ 33,990

90CM : MRP ₹ 34,990



- **Airflow: 1,750m³/h**
- Motion Sensor Gesture with 9 Speed Feather Touch control
- Beautiful Digital Display with Silent Mode
- Heat Auto-clean with Filterless Technology
- Equipped with a large Stainless Steel oil cup
- BLDC - Inverter Motor Technology
- Available in: 60, 75 & 90 CM

15 Years Warranty* On Motor (For LEIA, ERICA)	12 Years Warranty* On Motor (For ASTRA)	2 Years Warranty* On Blower & PCB
2 Years General Warranty*		

ISLAND SERIES



MAKE EVERY MEAL SMOKE-FREE WITH SLEEK & POWERFUL
INDIA KI CHIMNEY



Maximum Suction



Easy Installation

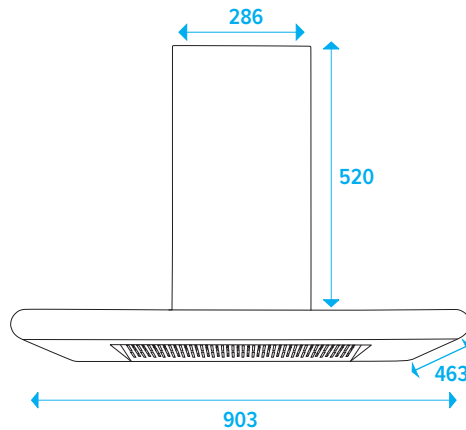


High Efficiency

VEGA ISLAND 3



MRP ₹ 64,990



- Exclusive Slim Design for Sleek Look
- Premium Stainless Steel Finish
- Airflow: 1,300m³/h
- Four Bright LED Lights
- Size: 90 CM
- 3 Speed Touch Control with motion sensor
- Heat Auto-clean
- ABS Oil cup
- 03 Baffle Filters

12
Years
Warranty*
On Motor

2
Years
Warranty*
On Blower & PCB

1 Year General Warranty*



GAS HOBS

COOKING DESERVES THE BEST

Our Built-In Kitchen Hobs are the perfect combination of minimal aesthetics and functional design. Embellished with heavy brass burners, toughened glass top with bevelled glass edge and hassle free auto ignition, our hobs are the best partner for your cooking needs. With a wide variety of designs and sizes to choose from, Blowhot Gas Hobs are truly the best fit for your kitchen.

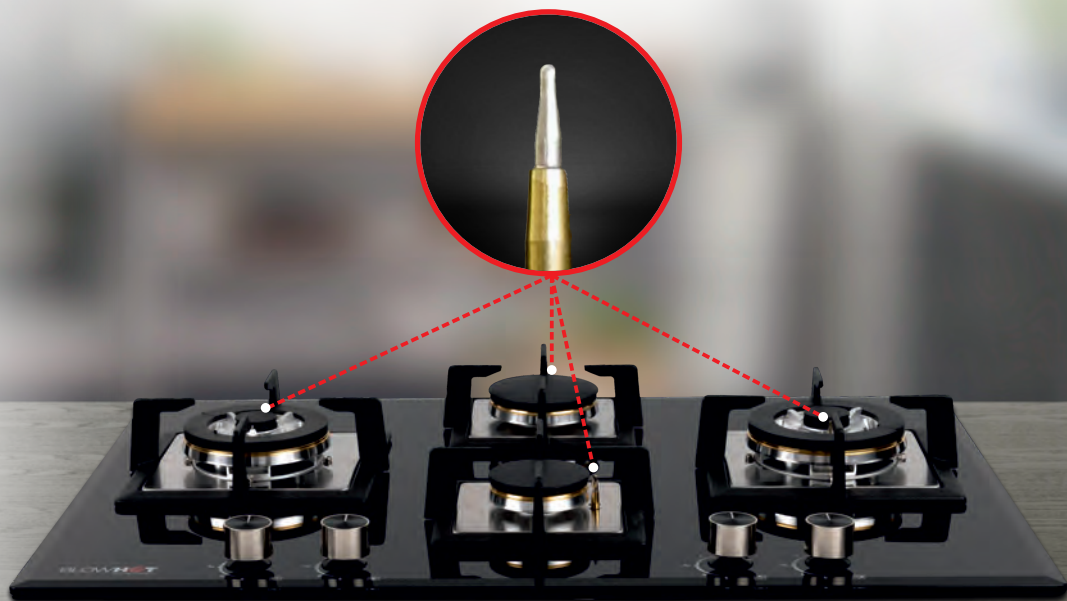
ORION

FLAME FAILURE DEVICE (FFD)

FFD Ensures Automatic Gas Cut-off during spills and sudden flame failure,

Making Your Kitchen A Safe Place!

135mm & 125mm Jumbo Triple Ring
Multi-Flame Burners



3B BLACK WITH FFD



MRP ₹ 28,990

4S BLACK WITH FFD



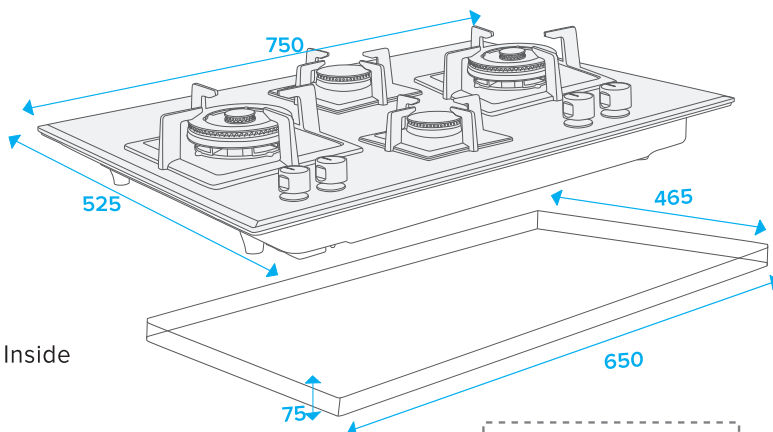
MRP ₹ 30,990

4B BLACK WITH FFD



MRP ₹ 30,990

- 75 cms Toughened Glass Top
- 8 mm Bevelled Glass Edge
- Heavy Brass Burners With Euro Coating In A Spacious Setting
- Brass Ring On Aluminium Base For Better Fit And Finish
- Auto Ignition - By Battery
- Heavy Cast Iron Vessel Support
- Heavy Silicon Pads To Prevent Water From Flowing Inside
- Spark Tips Guided With Brass Caps For Long Life
- Integrated Flame Failure Device(FFD) For Total Security
- Chromed Zinc Alloy Knobs



5
Years Warranty*
On Burner, Glass
& Gas Valves

1 Year General Warranty*

*Curve Cut-Out Dimension (mm) of 4R20 is required, where angle of cut needs to be 20 degrees, as the edges of hobs are tapered inward from Top to Bottom.

KRYPTON SERIES

MASTER EVERY DISH WITH THE
POWER OF KRYPTON



FULL FLAME



LOW FLAME



125mm Jumbo Triple-Ring Brass Burner & Brass Base with Multi-Flame functionality

KRYPTON 3B BLACK



MRP ₹ 30,990

70 cm Toughened Glass Top

KRYPTON 4B BLACK



MRP ₹ 32,990

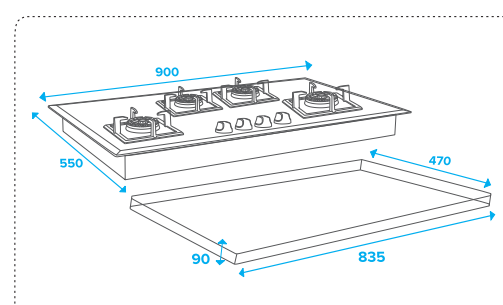
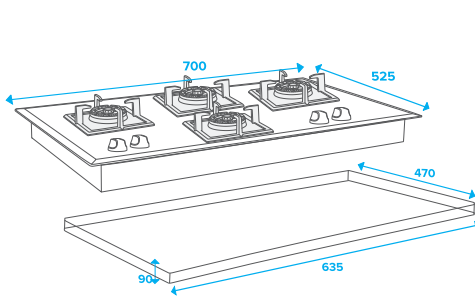
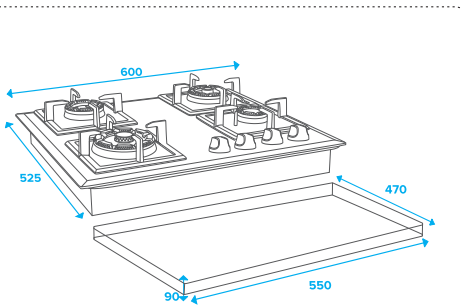
70 cm Toughened Glass Top

KRYPTON 4S BLACK



MRP ₹ 32,990

70 cm Toughened Glass Top



KRYPTON 4S 60 BLACK



MRP ₹ 28,990

60 cm Toughened Glass Top

KRYPTON SERIES FEATURES

- 8 mm Bevelled Glass Edge
- Auto Ignition - By Battery
- Heavy Cast Iron Vessel Support
- Durable Metal Knobs
- Two Triple-Ring Burners
- Spark Tips Guided With Brass Caps For Long Life
- Heavy Silicon Pads Below Stainless Steel Dish Tray Prevents Water, Oil & Dust From Going Inside The Hob

KRYPTON 4S 90 BLACK



MRP ₹ 36,990

90 cm Toughened Glass Top

*Curve Cut-Out Dimension (mm) of 4R20 is required, where angle of cut needs to be 20 degrees, as the edges of hobs are tapered inward from Top to Bottom.

5
Years Warranty*
On Burner, Glass
& Gas Valves
2 Years General Warranty*

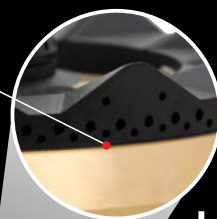
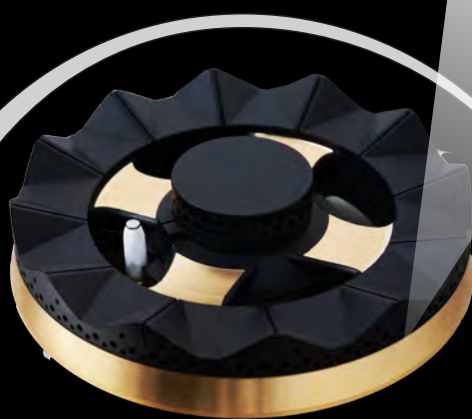
PENTAGON SERIES

EFFICIENCY AND STRENGTH
STARTS WITH LOTUS BURNERS

Fixed-Ring Technology



FULL FLAME



LOW FLAME



125mm Jumbo Triple-Ring Brass Burner | Multi-Flame functionality

PENTAGON 3B BLACK



MRP ₹32,990

70 cm Toughened Glass Top

PENTAGON 4B BLACK



MRP ₹34,990

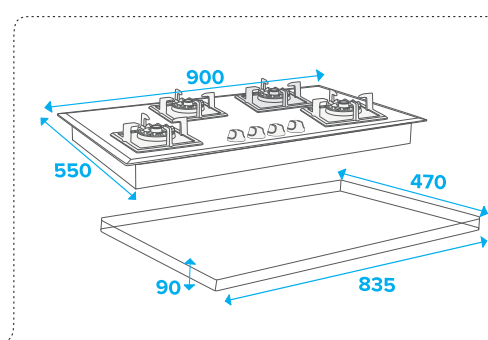
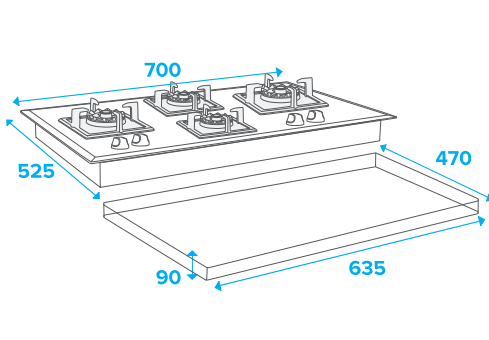
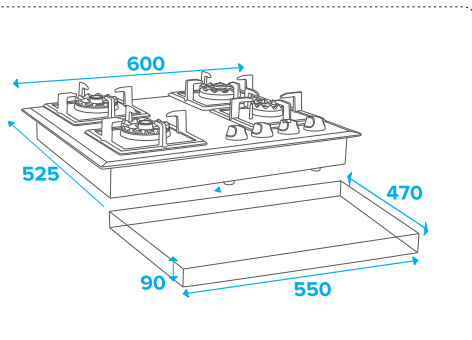
70 cm Toughened Glass Top

PENTAGON 4S BLACK



MRP ₹34,990

70 cm Toughened Glass Top



PENTAGON 4S 60 BLACK



MRP ₹30,990

60 cm Toughened Glass Top

PENTAGON SERIES FEATURES

- 8 mm Bevelled Glass Edge
- Auto Ignition - By Battery
- Heavy Cast Iron Vessel Support
- Durable Metal Knobs
- Two Triple-Ring Burners
- Spark Tips Guided With Brass Caps For Long Life
- Heavy Silicon Pads Below Stainless Steel Dish Tray Prevents Water, Oil & Dust From Going Inside The Hob

PENTAGON 4S 90 BLACK



MRP ₹38,990

90 cm Toughened Glass Top

*Curve Cut-Out Dimension (mm) of 4R20 is required, where angle of cut needs to be 20 degrees, as the edges of hobs are tapered inward from Top to Bottom.

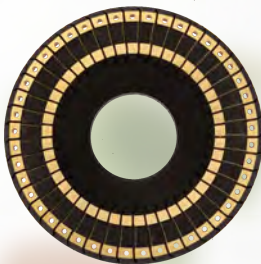
5
Years Warranty*
On Burner, Glass
& Gas Valves
2 Years General Warranty*

HEAVY BRASS FORGED BURNERS



HEAVY BRASS TORNADO BURNERS

Design patented Tornado Burners | Upto 30% Gas Saving | ISI Certified



GAS STOVES

COOKING DESERVES THE BEST

When it comes to cooking in Indian Kitchens, we at Blowhot understand every nuance of perfect cooking. With our Gas Stove range we aim at delivering the same understanding of the perfect cooking experience every time. Most important part of a gas stove is the burners. The burners of Blowhot Gas Stoves have blue flame that flows across evenly. These burners are built with high quality material and precision engineering makes our gas stoves the right fit for cooking that deserves the best.

QUARTZ

HYBRID GAS STOVES - HYBRID COOKTOP WITH AUTO IGNITION BY BATTERY, DISTINCT FROM BOTH GAS STOVES AND HOBS

HYBRID GAS STOVES



3B AUTO



MRP ₹ 14,990

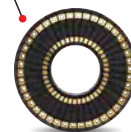
LWH = 760 x 450 x 110

4B AUTO



MRP ₹ 16,990

LWH = 850 x 450 x 110



- Hybrid Design with Toughened Glass Top
- Heavy Square Pan Support with Flame Guard
- Auto Ignition Powered by Battery
- Heavy Brass Tornado Burners, Including One Jumbo Burner
- Uniquely Designed Metal Top Knobs
- Powered by Sabaf Gas Valves
- ISI Certified
- Blue-Green Flame with High Gas Efficiency

5 Years Warranty*
On Glass & Gas Valves

2 Years Warranty*
On Burner

2 Years General Warranty*

AMBER

3B MANUAL



MRP ₹ 14,990

LWH = 750 x 450 x 112

4B MANUAL



MRP ₹ 16,990

LWH = 800 x 450 x 112



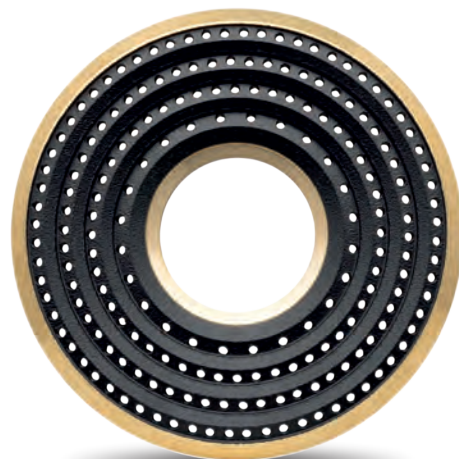
- Hybrid Design with Toughened Glass Top
- Heavy Cast Iron Vessel Support With Powder Coated Drip Trays
- Uniquely Designed Metal Top Knobs
- ISI Certified
- Blue-Green Flame with High Gas Efficiency
- Coated Forged Heavy Brass Burners
- Powered by Sabaf Gas Valves
- Manual Ignition

5 Years Warranty*
On Glass, Gas Valves & Burners

2 Years General Warranty*

SAPPHIRE

POWER YOUR PASSION FOR COOKING WITH **SAPPHIRE GAS STOVE**



BLACK & WHITE

2B MANUAL

MRP ₹11,990



3B MANUAL

MRP ₹13,490



4B MANUAL

MRP ₹14,990



SS GOLD



BLACK



LWH = 755 x 385 x 102

LWH = 755 x 385 x 102

LWH = 650 x 520 x 102

- One of the Slimmest Cooktops in India
- ISI Certified with Gas Saving Upto 30%
- Heavy Brass Burners with Blue Flame
- Manual Ignition
- Heavy Vessel Support
- Built-In Glass/SS Design - within Aluminium body frame
- Cast Iron Heavy Vessel Support
- Metal Knobs
- The sizes for 2B, 3B, and 4B stay the same for each stove type

5
Years Warranty*
On Burner, Glass
& Gas Valves
2 Years General Warranty*

JASPER

INNOVATIVE DESIGNS FOR THE MODERN INDIAN KITCHEN

2B AUTO

MRP ₹ 10,990

2B MANUAL

MRP ₹ 9,990



LWH = 773 x 370 x 136

3B AUTO

MRP ₹ 12,990

3B MANUAL

MRP ₹ 11,990



LWH = 773 x 370 x 136

4B AUTO

MRP ₹ 13,990

4B MANUAL

MRP ₹ 12,990



LWH = 683 x 520 x 136

- Toughened Glass Top
- ISI Certified
- Metallic Knobs
- Also Available In Heavy Cast Iron Vessel Support
- Heavy Brass Tornado Burners with Blue Flame
- Available in Both Stainless Steel & Black Powder Coated Body
- Available In Piezo Auto / Manual Ignition

2
Years Warranty*
On Burner, Glass
& Gas Valves

2 Years General Warranty*

ONYX

STAINLESS STEEL STRENGTH, TORNADO BURNERS, AND UNMATCHED EFFICIENCY



2 BURNER

MRP ₹ 5,990

LWH = 680 x 355 x 110



3 BURNER

MRP ₹ 7,490

LWH = 775 x 393 x 121



4 BURNER

MRP ₹ 8,990

LWH = 660 x 510 x 110

- Comes With A Jumbo Burner
- Heavy Deep Draw Stainless Steel Body
- Curve Design With Extra Space
- ISI Certified With Gas Saving Upto 30%
- Heavy Build Quality Pan Support
- Manual Ignition
- Versatile Silicone Pad for Spoons & Ladles Removable for Easy Cleaning (Only for 4B & 2B)

2
Years Warranty*
On Burner,
& Gas Valves

1 Year General Warranty*



ELECTRIC WATER HEATERS

NEXT-GEN TECHNOLOGY

In the diverse and ever-changing climate of India, where weather fluctuates from state to state, the demand for the ideal hot water to enjoy a perfect shower varies accordingly. To address the evolving requirements of Indian showers, Blowhot introduces a range of electric Water Heaters using Next-Gen Technology, including Instant, Electric, and Gas options – ensuring there's a perfect solution for everyone.

ELECTRIC

NEGUS

(10L)

MRP ₹ 7,990

(15L)

MRP ₹ 9,490

(25L)

MRP ₹ 10,990

- Heavy Copper Heating Element
- Pressure: 0.8Mpa (08 Bars)
- Wattage : 2000 Watt
- Hot Water Temperature Range: 30°-75°C
- Sacrificial Magnesium Anode For Extended Life Span
- Adjustable Knob For Temperature Control
- PUF Insulation to minimize heat loss & reduce power consumption.

Nano Polybond
Technology



VAPOUR

Glass Lined
Inner Tank

Analog Thermal
Gauge

Heavy Copper
Heating Element

PUF Insulation To Minimize Heat Loss
& Reduce Power Consumption

(10L)

MRP ₹ 8,990

(15L)

MRP ₹ 10,490

(25L)

MRP ₹ 11,990

- Pressure: 0.8Mpa (08 Bars)
- Wattage : 2000 Watt
- Hot Water Temperature Range: 30°-75°C
- Sacrificial Magnesium Anode For Extended Life Span
- Adjustable Knob For Temperature Control



(50L)

MRP ₹ 20,990

5
Years
Warranty*
On Storage Tank

2
Years
Warranty*
On Heating Element

2 Years General Warranty*

ELECTRIC

MERCURE

(6L)

MRP ₹ 8,990

(10L)

MRP ₹ 9,990

(15L)

MRP ₹ 11,490

(25L)

MRP ₹ 12,990



MERCURE (IOT)

(10L)

MRP ₹ 12,990

(15L)

MRP ₹ 15,490

(25L)

MRP ₹ 16,990

- Glass Lined Inner Tank
- Heavy Copper Heating Element
- PUF Insulation
- Single Weld Tank
- Whirl Flow Tank

- ABS Body
- Digital Display
- Hot Water Temperature Range :30 -75°C
- Sacrificial Magnesium Anode For Extended Life Span

- Enamelled Water Connections
- Pressure : 0.8MPa (08 Bars)
- Power : 2000 Watt
- Auto Thermal Cut-Off

NOW YOUR HOT WATER COMFORT IS JUST A TOUCH AWAY

Connect your smart device and operate anywhere, anytime.
Available with IOT Application

7 Years Warranty* On Storage Tank	3 Years Warranty* On Heating Element
2 Years General Warranty*	

INSTANT ELECTRIC

SPLASH



3L - NORMAL

MRP ₹ 7,990

- High Grade Stainless Steel Tank
- Suitable For Low And Mid - Rise Buildings
- Heavy Copper Heating Element
- Longer Heat Retention With Glass Wool Insulation
- Shock Proof And Rust Proof
- Wattage : 3000 Watt
- Pressure : 0.6MPa (06 Bars)
- Prevents Electric Shock With Moulded 3-Pin Plug



3L
DIGITAL DISPLAY

MRP ₹ 7,490

5 Years Warranty* On Storage Tank
2 Years General Warranty*

GAS GEYSERS



BL 101

MRP ₹ 7,990

- Heavy Copper Heat Exchanger-1.15Kg



BL 102

MRP ₹ 7,990

- Heavy Copper Heat Exchanger-1.15Kg

Also Available in
DIGITAL DISPLAY

MRP ₹ 8,490



10L

MRP ₹ 11,990

- Heavy Copper Heat Exchanger-2.2Kg



GRAND 8L

MRP ₹ 9,990

- Heavy Copper Heat Exchanger-1.35Kg



CORAL 6L

MRP ₹ 6,990

- Heavy Copper Heat Exchanger-1Kg



PEBEL

MRP ₹ 6,990

- Heavy Copper Heat Exchanger-1 Kg



BLACK SS

MRP ₹ 7,490

- Heavy Copper Heat Exchanger-1 Kg



GOLD SS

MRP ₹ 7,490

- Heavy Copper Heat Exchanger-1 Kg

- Thermostat For High Temperature Cut-Off Which Prevents Dry Burning
- Flame Failure Safety Device: If In Any Case, The Flame Goes Off, The Gas Supply Cuts Off Immediately
- ISI Certified
- Efficient And Energy Saving

- With Safety Features Like An Automatic Cut-Off System After 20 Minutes
- Fully Automatic : Gas Starts Burning As Soon As The Hot Water Outlet Tap Is Opened And You Get Hot Water Within 2 Seconds
- Get Upto 7000L Of Hot Water In One 14.2Kg LPG Cylinder

2
YEARS
PRODUCT WARRANTY



INDUCTION & INFRARED COOKTOPS

MODERN KITCHEN DESERVES THE BEST

A modern kitchen deserves the best of both worlds. That's why our Induction & Infrared Cooktops bring you advanced technology with features like a shock-proof platform, feather-touch controls, and LED display, making everyday cooking faster, safer, and smarter. And when it comes to versatility, our Infrared Cooktops add effortless convenience with even heat distribution, energy efficiency, and the freedom to use any cookware. Together, they redefine modern cooking with innovation, style, and ease.

INDUCTIONS

BL SERIES

BL 200 (EBONY)

MRP ₹ 4,990



8 Intelligent Cooking Functions
This Model Can Also Be Installed
Similar To Hobs (Built-In)

- 2000 Watt
- Self Timer
- 04 Digit LED Display
- Shock Proof
- Feather Touch Screen

A SERIES

A9 (AZZURE)

MRP ₹ 2,990



Push Control with 4 Automatic
And 4 Manual Functions

- 2000 Watt
- Self Timer
- Shock Proof
- CCA Coil
- 4 Automatic Cooking Functions
- 04 Digit LED Display

A10 (BASIC)

MRP ₹ 3,490



Touch Control with 4 Automatic and
6 Manual Functions

1
Year Warranty*
On PCB & Coil
1 Year General Warranty*

INFRARED COOKTOP

BL 400

MRP ₹ 4,490



Matte Finish
Glass Top

BL 500

MRP ₹ 4,490



FRP Body
04 Preset Functions

BL 600 (CHROME)

MRP ₹ 4,490



Heavy Metal Body
06 Preset Functions

- Supports all types of Vessels
- 2200 Watt
- 04 Digital LED Display
- Shock Proof
- Touch & Regulator Control
- Over Heat Protection
- Intelligent Power Cut-Off Indicator
- Comes with Grill Plate

1
Year Warranty*
On PCB & Coil
1 Year General Warranty*



OTG

AN ODE TO COOKING

With the launch of our new Range of **Oven Toaster Griller** we have added more to the Indian Kitchen. Built over the same technology as our Built-In Ovens but in a smaller footprint, our OTG's are equipped to deliver more features in less space.

Available in 5 different sizes and varied range of uses & features our OTG fits well in every Indian kitchen catering to every Indian family.

OTG

YOUR ALL-IN-ONE KITCHEN WONDER THE ULTIMATE OTG AWAITS!



19L

MRP ₹ 9,990

• Power: 1300 Watt • 4 Stage Selector



Convention
Technology
& Rotisserie

22L

MRP ₹ 11,990

• Power: 1380 Watt • 6 Stage Selector



Convention
Technology
& Rotisserie

28L

MRP ₹ 13,990

• Power: 1500 Watt • 6 Stage Selector



Individual Rotisserie
And Convection
Control Selector

36L

MRP ₹ 16,990

• Power: 1500 Watt



Individual Rotisserie
And Convection
Control Selector

46L

MRP ₹ 19,990

• Power: 1800 Watt

- Bright Chamber Light
- SS Heating Element
- Crumb Tray For Ease Of Cleaning
- SS Door Handle
- 100°C - 250°C Adjustable Temperature Control
- 60 Minutes Timer With Ring

2
YEARS
GENERAL WARRANTY



JUICER MIXER GRINDER

BLEND WITH CONFIDENCE

Blowhot's exceptional range of mixer grinders stands out for their powerful performance, durability, and innovative design. These appliances are engineered to handle a variety of kitchen tasks with ease, from grinding spices to blending smoothies. Equipped with robust motors and high-quality stainless steel blades, Blowhot mixer grinders ensure consistent and efficient results.

JUICER MIXER GRINDER

EQUIPPED WITH COPPER MOTOR & HEAVY DUTY COUPLER FOR POWERFUL & **LONG-LASTING GRIND & MIX.**



Energy Efficiency



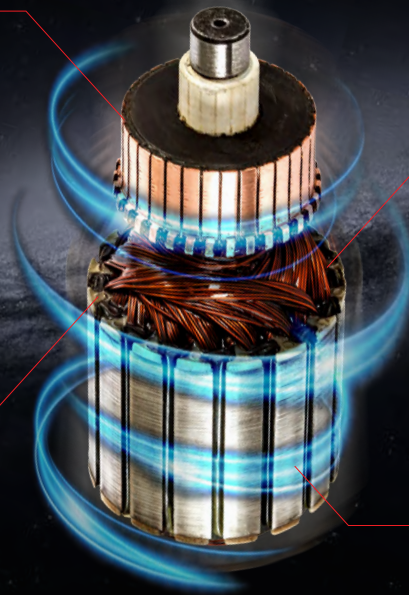
Better Heat Dissipation



Enhanced Durability



High Torque and Performance



JUICER MIXER GRINDER

VERVE 1HP

4 JAR

MRP 7,490

3 JAR

MRP 6,490



Colour: Warm Grey

- Chutney Jar - 500 ml
- Dry Jar - 1000 ml
- Liquids Jar - 1500 ml
- Available in 4 jars with 2-liter Quadrilateral Juice-Jar

- Pure Copper Motor With Heavy Duty Coupler
- Dome Shaped Transparent Push Caps
- Stainless Steel Jars
- Durable ABS Body
- Motor: 1HP



VORTEX 1kW

4 JAR

MRP 6,990

3 JAR

MRP 5,990



Colour: Vine

- Chutney Jar - 500 ml
- Dry Jar - 1000 ml
- Liquids Jar - 1500 ml
- Available in 4 jars with 2-liter Quadrilateral Juice-Jar

- Pure Copper Motor With Heavy Duty Coupler
- Dome Shaped Transparent Push Caps
- Stainless Steel Jars
- Durable ABS Body
- Power : 1,000 Watts



*The lifestyle section is for illustrative purposes only. The actual product may differ. Available only in Verve & Vortex Series Mixer Grinder.

JUICER MIXER GRINDER

SWIRL - 750W
4 JAR

MRP 5,990

3 JAR

MRP 4,990



Colour: Pantone Blue

- Chutney Jar - 500 ml
- Dry Jar - 1000 ml
- Liquids Jar - 1500 ml
- Juice Jar With Fruit Filter - 1500 ML
- Available in 3/4 Jars

SWIRL - 500W/600W
3 JAR

MRP 4,490



Colour: Pantone Blue

- Chutney Jar - 400 ml
- Dry Jar - 800 ml
- Liquids Jar - 1250 ml

2
YEARS
PRODUCT WARRANTY

- Push type Caps
- Durable Abs Body
- Stainless Steel Jars
- Powerful Hybrid Motor

Nutri MixPro
3 JAR

MRP 5,990



Colour: Sparkling Maroon

- Long Sipper Jar - 500ml
- Long Jar - 500ml
- Short Jar - 300ml
- 1 Sipper Lid
- 1 Close Lid
- 1 Seasoning Lid

Nutri MixPro
2 JAR

MRP 4,990



Colour: Sparkling Maroon

- Long Sipper Jar - 500ml
- Long Jar - 500ml
- Short Jar - 300ml
- 1 Close Lid
- 1 Seasoning Lid

1
YEAR
PRODUCT WARRANTY

- Power: 500 Watts
- High Torque Powerful Motor Unit
- 2 Different Lids
- Durable & Efficient S.S. Blade



BUILT-IN ELECTRIC OVENS

AN ODE TO COOKING

Ovens have become the modern day necessities for every household and are a 'must have' appliance in your cooking arsenal. Our Built-In Electric Ovens are made for modern day cooking, with minimal aesthetics and designed to fit perfectly in your kitchen space.

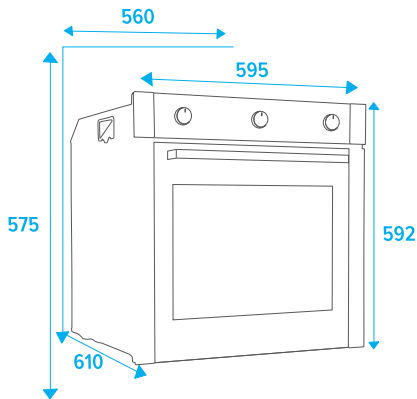
Our ovens are packed with numerous functionalities designed to enhance your cooking experience, providing ample opportunities to experiment with your kitchen menu.

They serve as the ideal tribute to your daily culinary endeavors.

OVEN



INTEGRATED
PERFECTION
**FOR EVERY
MEAL**



ELECTRIC OVEN (72L)

- Finish: Toughened Glass With Stainless Steel Handle
- Triple Layered Glass Door For Safety
- Operative System - Knob Control With Timer
- Illumination - Bright Cavity White Light For Better Illumination
- Rotisserie - Stationery
- Enamelled Baking Tray
- Side Rack Support - Multiple Baking Options
- Sabbath Mode For Low Temperature Re-Heating & Cooking

MRP ₹54,990



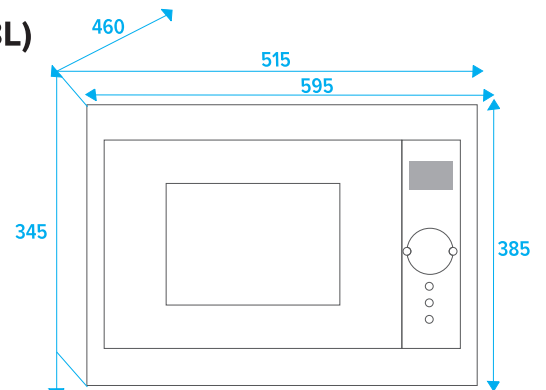
**1
YEAR**
GENERAL WARRANTY

MRP ₹59,990



MICROWAVE OVEN (28L)

- Multifunctional With 10 Auto Menus
- Grill & Convection
- Feather Touch Control
- Clock & Kitchen Timer
- Multistage Cooking
- Defrost By Weight
- One-Touch Add 30 Sec More
- Cooking End Signal
- Permatron Protection





DISHWASHERS




EXPERIENCE THE EASE OF CLEANING

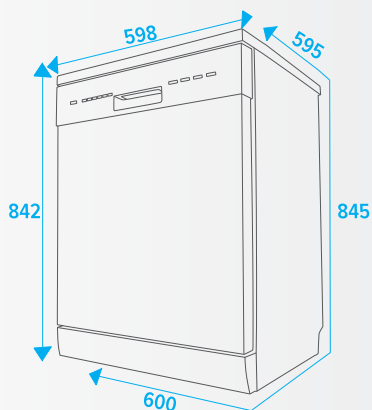
What makes cooking uneasy and boring is the after chores that come with it. We at Blowhot understand that and have designed Built-In/ Freestanding Dishwasher which makes your after cooking chores a piece of cake. All you need to do is put in your dishes and utensils and our dishwasher will take care of the rest. With a stainless steel tank and flexible third layer cutlery tray our dishwashers are built to handle anything that you throw at it.

DISHWASHERS



FROM MESSY TO MARVELOUS THE MAGIC OF DISHWASHING

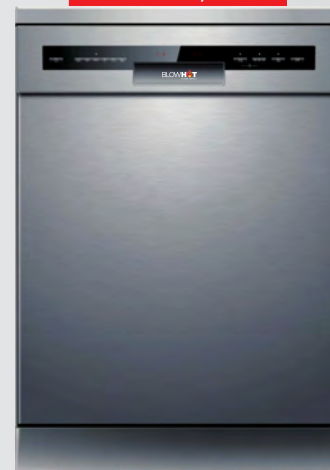
-  Turbo Fan Dry
-  Capacity - 14 Place settings
-  360 degree water coverage



FSDW-P

- 14 Place Settings, With Third Layer Cutlery Tray
- 6 Washing Programs
- **360° Rotating 03 Sprayers**
- Flexible Third Layer Cutlery Tray
- With Bright Interior Illumination
- Lift Up Height - Adjustable Upper Basket
- Stainless Steel Tank For Better Durability
- White Brushed Stainless Steel Door
- Push Control Button System
- Noise Level 49 dba, **A++**

MRP ₹63,990

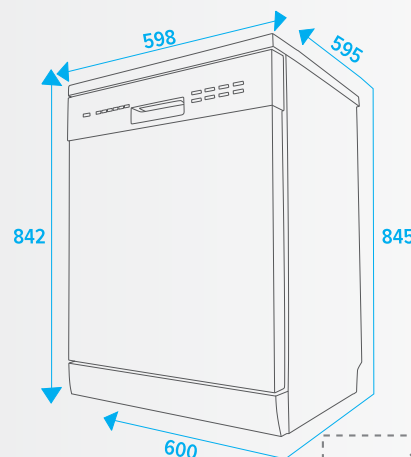


MRP ₹69,990



TITANIUM FSDW

- 14 Place Settings, With Third Layer Cutlery Tray
- 9 Washing Programs : Auto/Baby Care/Intensive/Normal/Eco/Glass/90mins/ Rapid/Soak
- **360° Rotating 03 Sprayers**
- Flexible Third Layer Cutlery Tray
- With Bright Interior Illumination
- Lift Up Height - Adjustable Upper Basket
- Stainless Steel Tank For Better Durability
- **Feather Touch Control System**
- **Noise Level 44dba, A+++**
- Black Stainless Steel Door
- White LED Display, 01 To 24 Hours Delay Start Option



2
YEARS

GENERAL WARRANTY

*The lifestyle section is for illustrative purposes only. The actual product may differ.

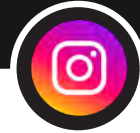
Scan the QR Codes to visit:



Official Website



BLOWHOT[®]
FUTURE PERFECT



Instagram



BLOWHOT[®]
FUTURE PERFECT



YouTube



BLOWHOT[®]
FUTURE PERFECT



Facebook



BLOWHOT[®]
FUTURE PERFECT



LinkedIn



BLOWHOT[®]
FUTURE PERFECT



X



BLOWHOT[®]
FUTURE PERFECT



BLOWHOT KITCHEN APPLIANCES PVT. LTD.

B/15, 16, Pologround, Industrial Estate, Indore (M.P.), India 452015
Email: enquiry@blowhotindia.com | Toll-Free Number: 1800-890-0998

**Expanding Our Footprints
Across 20+ States and Counting**

www.blowhotindia.com

OCT 2025

Disclaimer:
Features & Specifications are subject to change without prior notice.
Pictorial Representation may not be identical to actual product.