



TAVIC

Comprehensive Partition Solution

 **TAITON**[®]

EDITION #2

www.taiton.in



About us

The world of Taiton provides you with the Largest and most Comprehensive product range which has been intelligently crafted to suit the modern Hi-tech commercial and residential establishments. We have a rich tradition of manufacturing and distributing high Quality Architectural Hardware which meets and exceeds expectations.

The tradition has inspired us to foray into diverse field of premium & exclusive products to decorate your interior spaces. Our diversified product portfolio is strategically divided into 9 verticals. In the current dynamic world, infrastructural development is witnessing the rapid advancement, hence there is a requirement to continuously innovate the products utilizing latest technologies to offer solutions that match perfectly to the need of modern customers.

Going forward we bring to you TAVIC range of Luxury Wardrobe systems & Modern Partition systems. In this range every product is ergonomically designed & manufactured on State-of-the-Art machines. The Profiles are heavy duty & offers Multiple finish options to select from to match you interiors & taste.

Being a Quality conscious firm, we never compromise with the Quality of our products. For that, we conduct an elaborate research on the materials to be used and the prevailing market trends. We ensure that our products undergo strict quality checks on various parameters like durability, finishing and robustness before they are delivered to our customers.

TAITON will keep challenging itself in the new era, dedicating to supply more beautiful and high quality products for a better living. We offer prompt & courteous delivery of our products and efficient customer service.

Exceptional functional & technical expertise coupled with extensive industry knowledge make TAITON the ideal choice for implementation of your desires into reality.

INDEX

TAVIC 25 (25MMX25MM)	1
TAVIC 45 (45MMX25MM)	2-3
TAVIC-SG75 (75MMX25MM)	4
TAVIC-SG100 (100MMX25MM)	5-6
TAVIC-DG100 (100MMX25MM)	7-8
TAVIC-SD60	9
TAVIC-SD75	10
PORTAL SYSTEM	11
SLIDING SYSTEM	12
ACCESSORIES	13-14
HARDWARE SLIM FRAMED OFFICE PARTITIONS	15-17
DIGITAL BIOMETRIC LOCKS	18
MANUAL SLIM FRAMED SLIDING SYSTEMS	19

TAVIC 25

25MM X 25MM (SINGLE GLAZE)

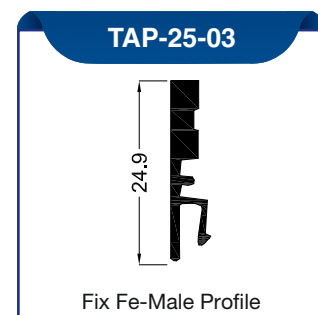
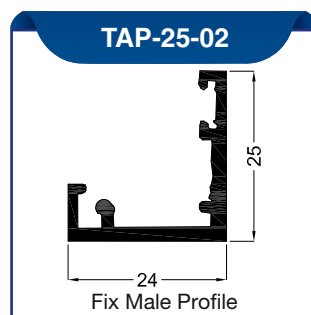
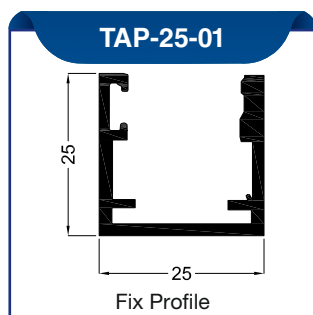


Features

- Standard Section 25mm x 25mm
- Suitable for 8mm/10mm/12mm toughened glass
- Partition height can be offered up to 3000mm
- Doors Can be mounted either on hinges, Patch systems or pivot doors for frame less Glass doors, stile doors also can be incorporated.
- Sound insulation capacity of 30-32 db

Available Finishes

Black, Silver, Mill



TAVIC 45

45MM X 25MM (SINGLE GLAZE)

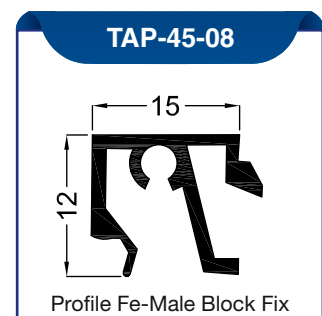
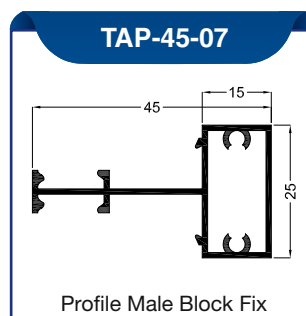
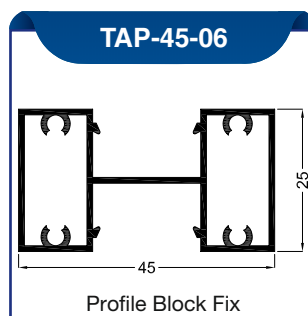
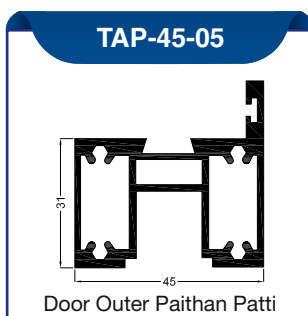
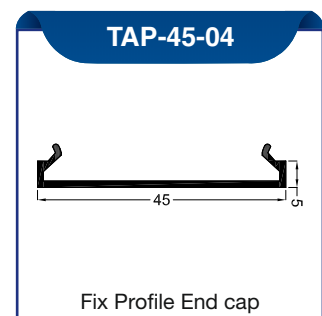
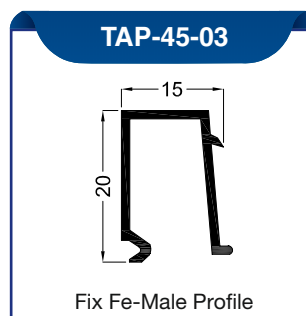
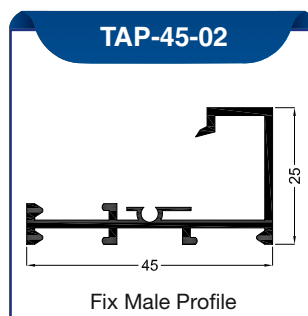
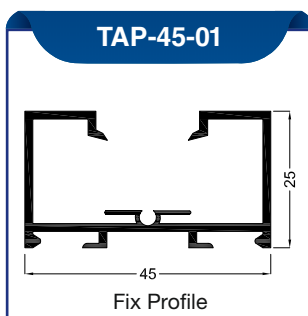


Features

- Standard section 45mm x 25mm Suitable for 8mm/10mm/12mm toughened glass
- Partition height can be offered up to 3000mm
- Doors Can be mounted either on hinges, patch systems or pivot doors for frame less Glass doors, Stile doors also can be incorporated.
- Sound insulation capacity of 32-34 db

Available Finishes

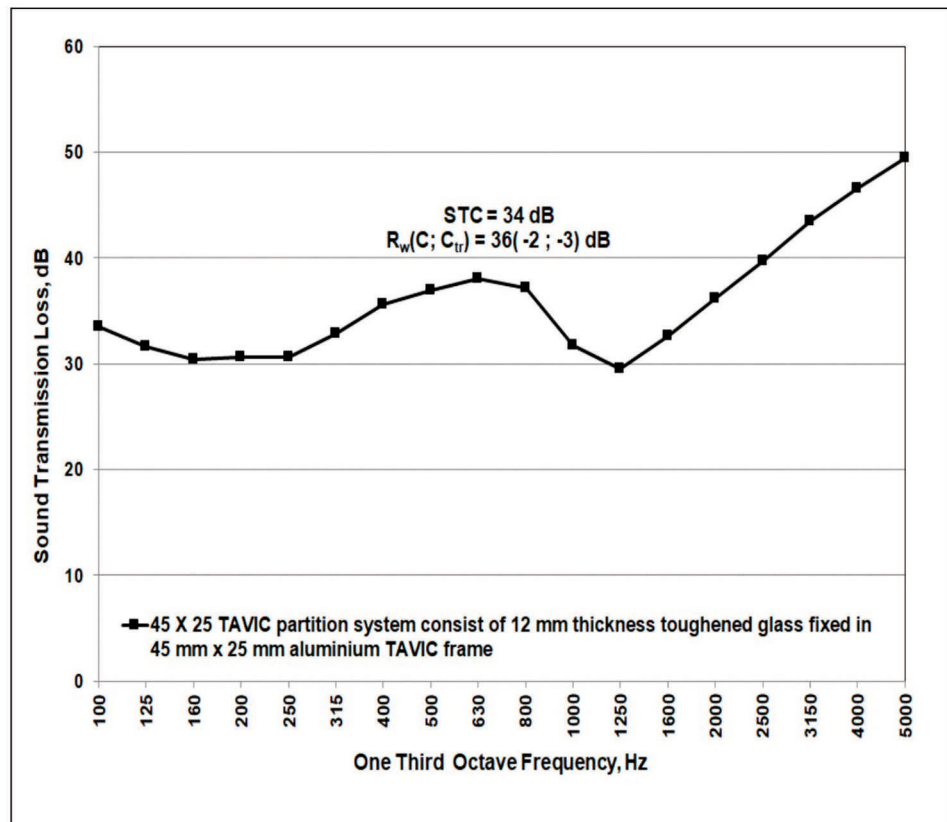
Black, Silver, Mill



TAVIC 45

DB CERTIFICATION

One Third Octave Frequency, Hz	Sound Transmission Loss, dB
100	33.5
125	31.6
160	30.4
200	30.6
250	30.6
315	32.9
400	35.6
500	37.0
630	38.1
800	37.2
1000	31.8
1250	29.6
1600	32.6
2000	36.2
2500	39.7
3150	43.5
4000	46.5
5000	49.4



ULR-TC508523050000026F
 NVH/3100015417/2022-23/0026

25th January 2023

INSTRUMENTATION

Sr. No	Instrument Name	Type / Model No	Make	Calibrated on	Calibration due on
1	Multi-channel Data Acquisition System	3560 D	Bruel & Kjaer, Denmark	11-Aug-22	11-Aug-23
2	1/2 Random Incidence Microphone	378B20	PCB, USA	11-Aug-22	11-Aug-23
3	Power Amplifier	2716	Bruel & Kjaer, Denmark	Does not require separate calibration as it is driven by data acquisition system	
4	Omni directional sound source	Omni power 4296	Bruel & Kjaer, Denmark		
5	Reverberation Chambers	80 m ³ and 110 m ³	-	-	-

TEST RESULTS

Table 1 and figure 2 shows the average values and plot of airborne sound transmission loss of TAVIC partition system consist of 12 mm thickness toughened glass fixed in 45 mm x 25 mm aluminium TAVIC frame. The total size of system is 2.365 m X 2.365 m in the one-third octave frequency bands of 100 Hz to 5000 Hz, STC (sound transmission class) and R_w ($C_{100-5000}$; $C_{tr100-5000}$) (weighted sound reduction index and spectrum adaptation terms).

CONCLUSIONS

The sound transmission class (STC) is calculated as per ASTM E- 413 and weighted sound reduction index with spectrum adaptation terms R_w ($C_{100-5000}$; $C_{tr100-5000}$) is calculated as per ISO 717-1 for TAVIC partition system consist of 12 mm thickness toughened glass fixed in 45 mm x 25 mm aluminium TAVIC frame. The total size of system is 2.365 m X 2.365 m	
Sound transmission class (STC)	33 dB
Weighted sound reduction index with spectrum adaptation terms R_w ($C_{100-5000}$; $C_{tr100-5000}$)	36 (-1; -3) dB

Tested and Report Prepared By: **P.P. Kamble**
 Reviewed By: **M. P. Joshi**
 Reviewed By: **S. K. Jain**
 Approved By: **Dr. N. H. Walke**

P.P. Kamble
 Dy. Manager

M. P. Joshi
 Dy. General Manager

S. K. Jain
 General Manager

Dr. N. H. Walke
 Deputy Director

This test report pertains only to the systems actually tested at ARAI in the presented condition. The issuing of this test report does not indicate any measure of approval, certification, supervision, control of quality surveillance by ARAI of any product. No extract, abridgement or abstraction from this test report be published or used to advertise the product without the written consent of the Director, ARAI, who reserves the absolute right to agree or reject all or any of the details of any items of publicity for which consent may be sought.



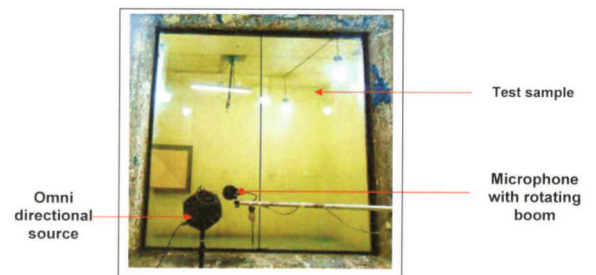
TC-5085

The test set up for mounting and testing of TAVIC Partition System consist of 12 mm Thickness toughened glass fixed in 45mm x 25mm Aluminum TAVIC frame between two reverberation Chambers

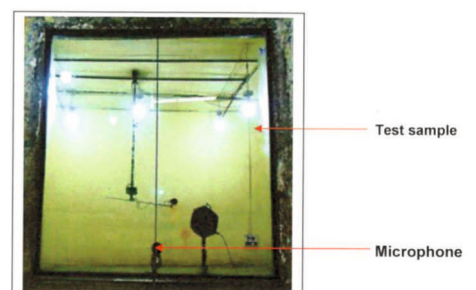


ULR-TC508523050000026F
 NVH/3100015417/2022-23/0026

25th January 2023



Source Room



Receiver Room

TAVIC 75

75MM X 25MM (SINGLE GLAZE)

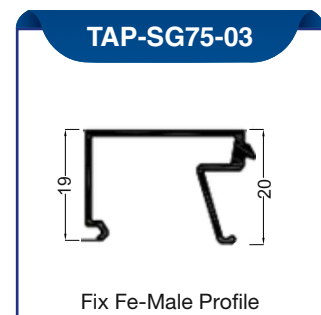
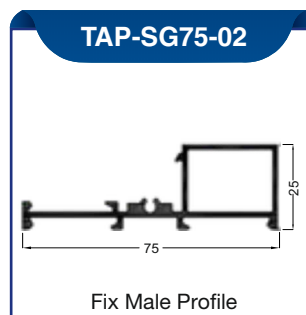
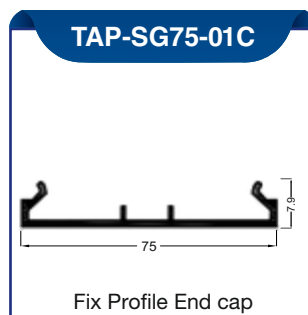
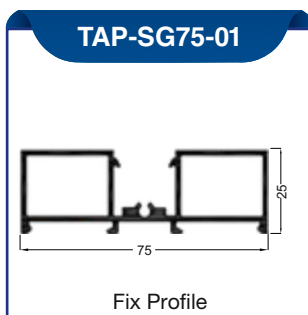


Features

- Standard section: 75mm x 25mm
- Suitable for 8mm / 10mm / 12mm toughened glass
- It can accommodate flush door of 35mm or 45mm
- Partition height can be offered up to 3000mm
- Sound insulation capacity of 32-34 dB
- Doors can be mounted either on Hinges, patch Systems or Pivot doors for frame less glass doors, Stile doors also can be incorporated in 60 series and 75 series both

Available Finishes

Black, Silver, Mill



TAVIC 100

(SINGLE GLAZE)

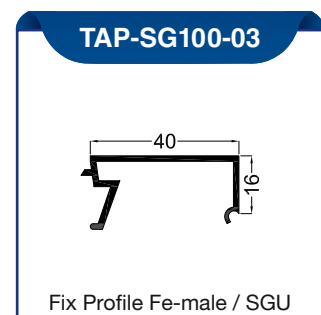
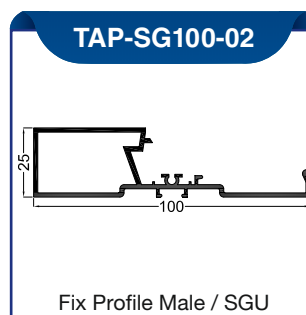
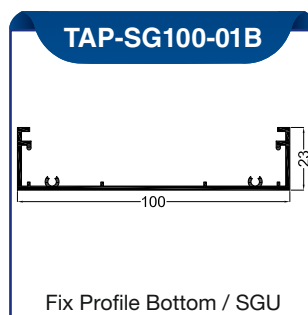
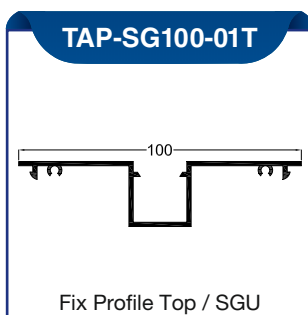


Features

- Demountables glass partition, 100mm thick
 - Maximum height: 3000mm
 - Any configuration possible: Full height, Segmented, Segmented at door height, multi-transform
 - Doors can be mounted either on hinges, patch systems or Pivot doors for frame less glass doors, Stile doors
- Also can be incorporated in 65 series and 75 series both

Available Finishes

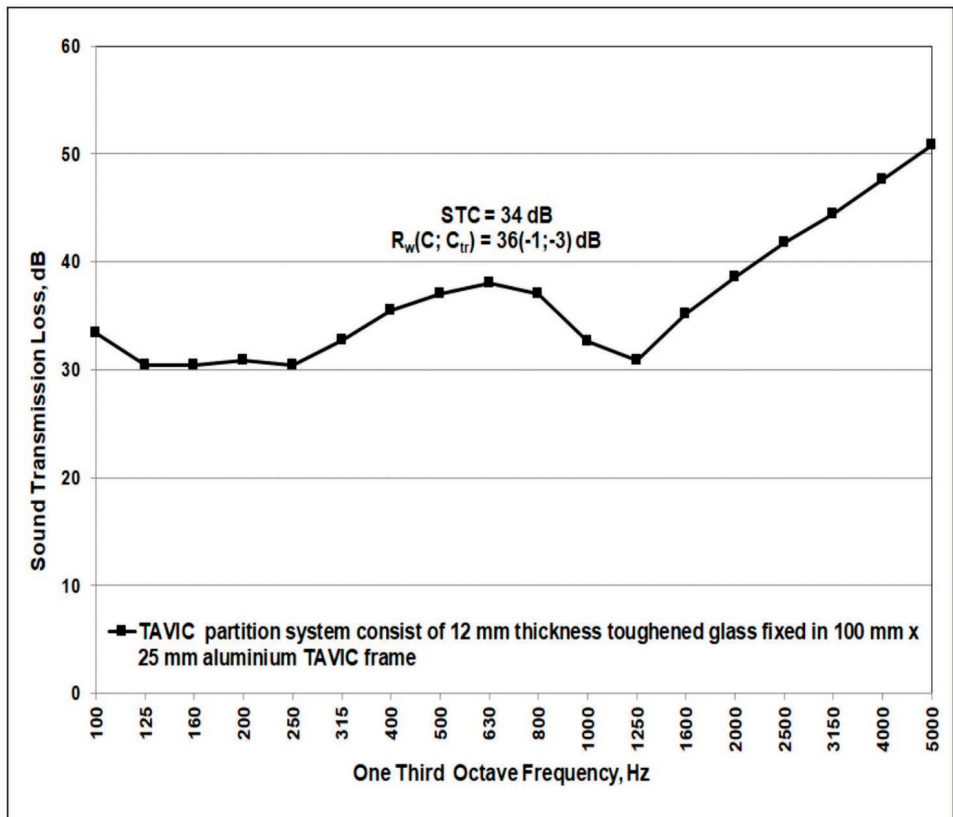
Black, Silver, Mill



TAVIC 100 SINGLE GLAZE

DB CERTIFICATION

One Third Octave Frequency, Hz	Sound Transmission Loss, dB
100	33.4
125	30.4
160	30.4
200	30.8
250	30.5
315	32.8
400	35.5
500	37.0
630	38.1
800	37.1
1000	32.6
1250	30.8
1600	35.2
2000	38.5
2500	41.7
3150	44.5
4000	47.6
5000	50.8



ULR-TC508523050000024F
 NVH/3100015417/2022-23/0024

24th January 2023

INSTRUMENTATION

Sr. No	Instrument Name	Type / Model No	Make	Calibrated on	Calibration due on
1	Multi-channel Data Acquisition System	3560 D	Bruel & Kjaer, Denmark	11-Aug-22	11-Aug-23
2	½ Random Incidence Microphone	378B20	PCB, USA	11-Aug-22	11-Aug-23
3	Power Amplifier	2716	Bruel & Kjaer, Denmark	Does not require separate calibration as it is driven by data acquisition system	
4	Omni directional sound source	Omni power 4296	Bruel & Kjaer, Denmark		
5	Reverberation Chambers	80 m ³ and 110 m ³	-	-	-

TEST RESULTS

Table 1 and figure 2 shows the average values and plot of airborne sound transmission loss of TAVIC partition system consist of 12 mm thickness toughened glass fixed in 100 mm x 25 mm aluminium TAVIC frame. The total size of system is 2.365 m X 2.365 m in the one-third octave frequency bands of 100 Hz to 5000 Hz, STC (sound transmission class) and R_w ($C_{100-5000}$; $C_{tr100-5000}$) (weighted sound reduction index and spectrum adaptation terms).

CONCLUSIONS

The sound transmission class (STC) is calculated as per ASTM E- 413 and weighted sound reduction index with spectrum adaptation terms R_w ($C_{100-5000}$; $C_{tr100-5000}$) is calculated as per ISO 717-1 for TAVIC partition system consist of 12 mm thickness toughened glass fixed in 100 mm x 25 mm aluminium TAVIC frame. The total size of system is 2.365 m X 2.365 m	
Sound transmission class (STC)	34 dB
Weighted sound reduction index with spectrum adaptation terms R_w ($C_{100-5000}$; $C_{tr100-5000}$)	36(0; -2) dB

Tested and Report Prepared By: Reviewed By: Reviewed By: Approved By:

[Signature]
P.P. Kamble
Dy. Manager

[Signature]
M.P. Joshi
Dy. General Manager

[Signature]
S. K. Jain
General Manager

[Signature]
Dr. N. H. Walke
Deputy Director

This test report pertains only to the systems actually tested at ARAI in the presented condition. The issuing of this test report does not indicate any measure of approval, certification, supervision, control or quality surveillance by ARAI of any product. No extract, abridgement or abstraction from this test report be published or used to advertise the product without the written consent of the Director, ARAI, who reserves the absolute right to agree or reject all or any of the details of any items of publicity for which consent may be sought.

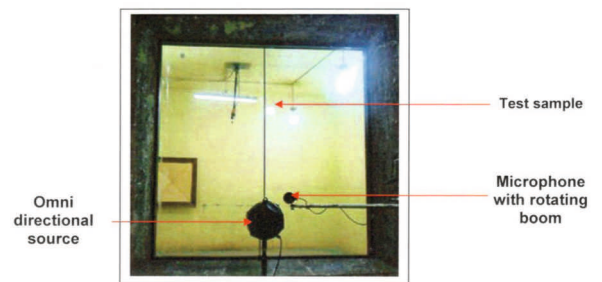


The test set up for mounting and testing of TAVIC Partition System consist of 12 mm Thickness toughened glass fixed in 100mm x 25mm Aluminum TAVIC frame between two reverberation Chambers

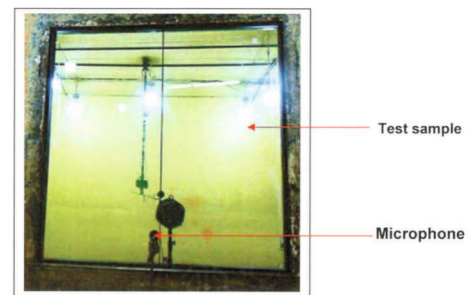


ULR-TC508523050000024F
 NVH/3100015417/2022-23/0024

24th January 2023



Source Room



Receiver Room

TAVIC 100

(DOUBLE GLAZE)

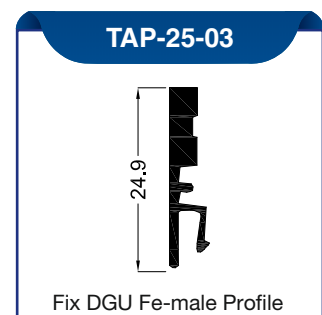
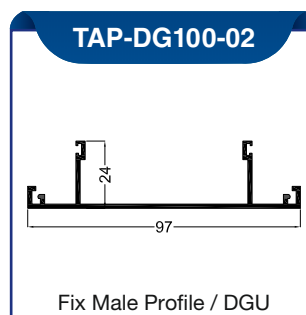
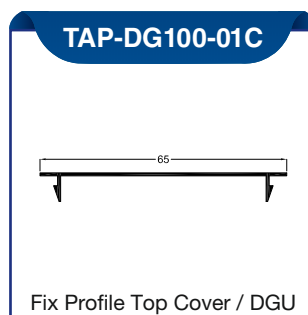
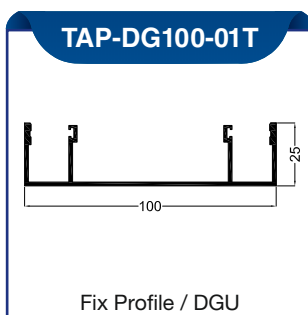


Features

- Demountables glass partition, 100mm thick
- Maximum height: 3000mm (depending on elevations)
- Any configuration possible: Full height, segmented, Segmented at door height, multi-transform, etc.
- Doors can be mounted either on Hinges, patch systems or Pivot doors for frame less glass doors, Stile doors also
Can be incorporated in 65 series and 75 series both

Available Finishes

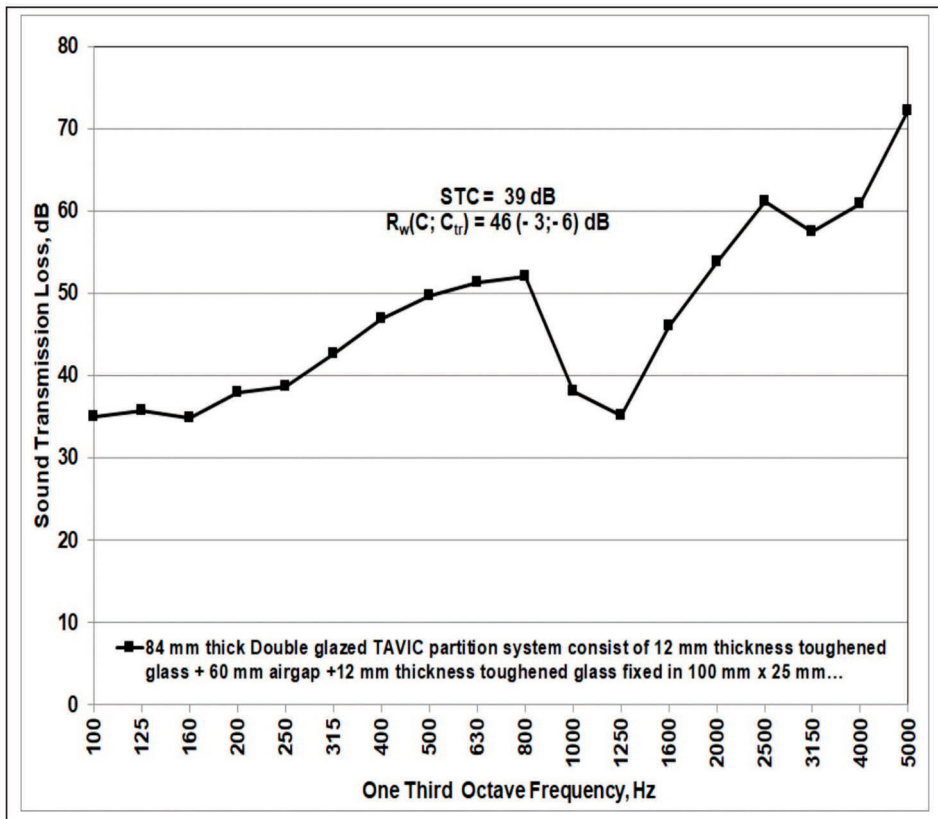
Black, Silver, Mill



TAVIC 100 DOUBLE GLAZE

DB CERTIFICATION

One Third Octave Frequency, Hz	Sound Transmission Loss, dB
100	35.0
125	35.8
160	34.9
200	37.9
250	38.7
315	42.6
400	46.9
500	49.7
630	51.3
800	52.0
1000	38.0
1250	35.1
1600	45.9
2000	53.8
2500	61.1
3150	57.4
4000	60.8
5000	72.2



ULR-TC508523050000025F
NVH/3100015417/2022-23/0025

25th January 2023

The test set up for mounting and testing of 84mm thick Double glazed TAVIC partition system between two Reverberation chambers

INSTRUMENTATION :

Sr. No	Instrument Name	Type / Model No	Make	Calibrated on	Calibration due on
1	Multi-channel Data Acquisition System	3560 D	Bruel & Kjaer, Denmark	11-Aug-22	11-Aug-23
2	1/2" Random Incidence Microphone	378B20	PCB, USA	11-Aug-22	11-Aug-23
3	Power Amplifier	2716	Bruel & Kjaer, Denmark	Does not require separate calibration as it is driven by data acquisition system	
4	Omni directional sound source	Omni power 4296	Bruel & Kjaer, Denmark		
5	Reverberation Chambers	80 m ³ and 110 m ³	-	-	-

TEST RESULTS :

Table 1 and figure 2 shows the average values and plot of airborne sound transmission loss of 84 mm thick Double glazed TAVIC partition system consist of 12 mm thickness toughened glass + 60 mm airgap + 12 mm thickness toughened glass fixed in 100 mm x 25 mm aluminium TAVIC frame. The total size of system is 2.365 m X 2.365 m in the one-third octave frequency bands of 100 Hz to 5000 Hz, STC (sound transmission class) and R_w ($C_{100-5000}$, $C_{tr100-5000}$) (weighted sound reduction index and spectrum adaptation terms).

CONCLUSIONS :

The sound transmission class (STC) is calculated as per ASTM E- 413 and weighted sound reduction index with spectrum adaptation terms R_w ($C_{100-5000}$, $C_{tr100-5000}$) is calculated as per ISO 717-1 for 84 mm thick Double glazed TAVIC partition system consist of 12 mm thickness toughened glass + 60 mm airgap + 12 mm thickness toughened glass fixed in 100 mm x 25 mm aluminium TAVIC frame. The total size of system is 2.365 m X 2.365 m	
Sound transmission class (STC)	39 dB
Weighted sound reduction index with spectrum adaptation terms R_w ($C_{100-5000}$, $C_{tr100-5000}$)	46 (-3; -6) dB

Tested and Report Prepared By : Reviewed By: Reviewed By: Approved By:

P.P. Kamble
P.P. Kamble
Dy. Manager

M.P. Joshi
M.P. Joshi
Dy. General Manager

S.K. Jain
S. K. Jain
General Manager

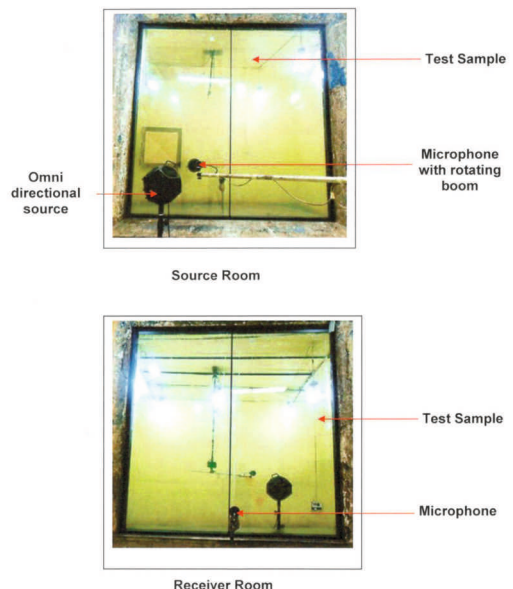
Dr. N. H. Walke
Dr. N. H. Walke
Deputy Director

This test report pertains only to the systems actually tested at ARAI in the presented condition. The issuing of this test report does not indicate any measure of approval, certification, supervision, control of quality surveillance by ARAI of any product. No extract, abridgement or abstraction from this test report be published or used to advertise the product without the written consent of the Director, ARAI, who reserves the absolute right to agree or reject all or any of the details of any items of publicity for which consent may be sought.



ULR-TC508523050000025F
NVH/3100015417/2022-23/0025

25th January 2023



TAVIC SD 60

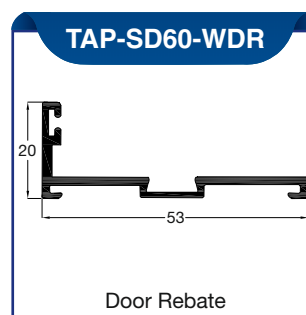
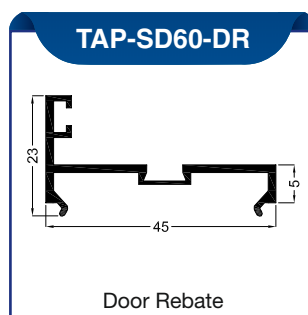
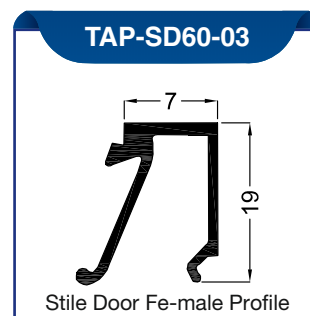
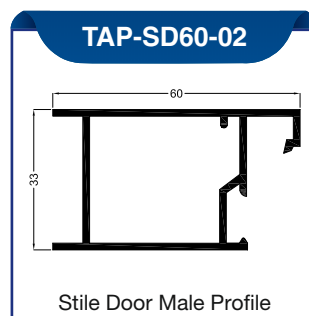
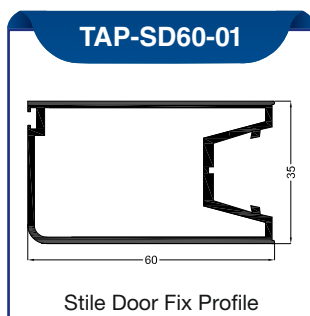
(STILE DOOR)



Features

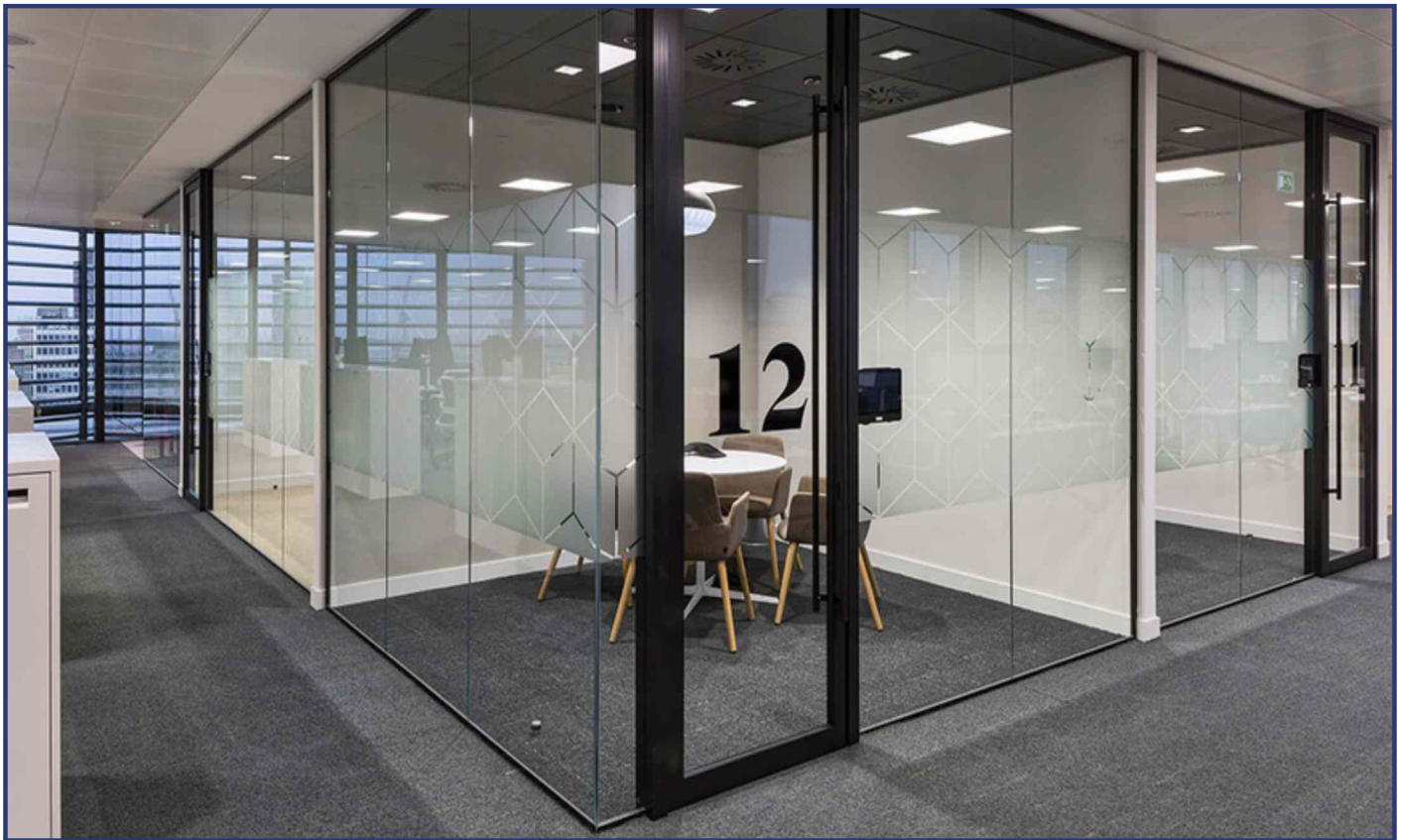
- Framed glass door-series 60
- Compatible to European hardware
- Open door closer also applicable
- Suitable at heavy flow of traffic area

Available Finishes
Black, Silver, Mill



TAVIC SD 75

(STILE DOOR)

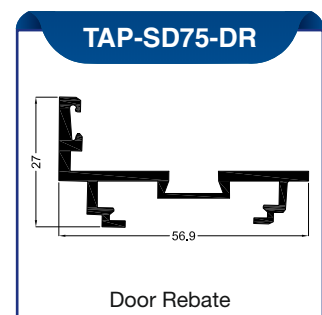
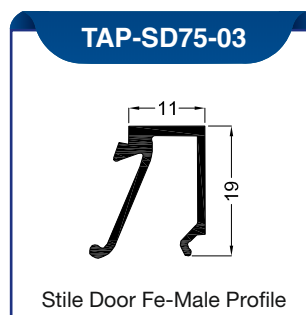
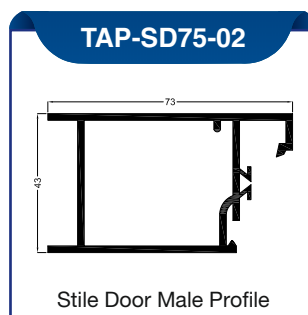
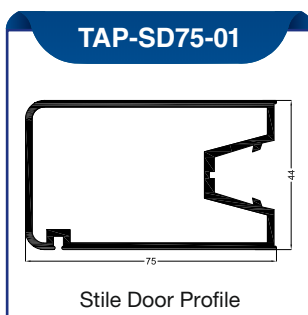


Features

- Framed glass door-series 75
- Compatible to European hardware
- Concealed door closer for better aesthetic design
- High acoustic level performance

Available Finishes

Black, Silver, Mill

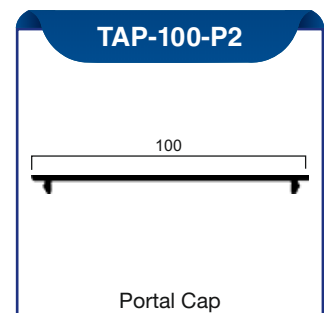
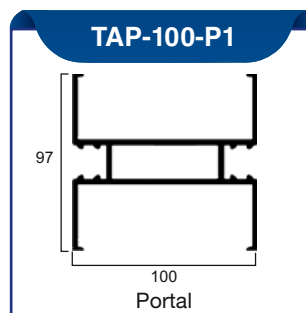
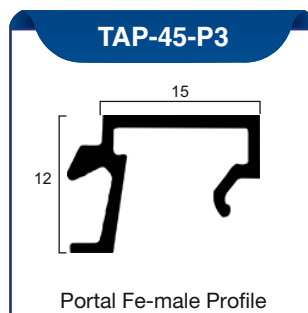
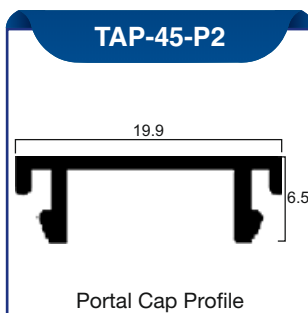
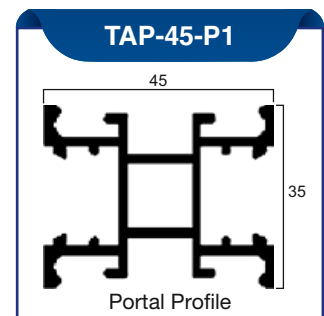


PORTAL SYSTEM

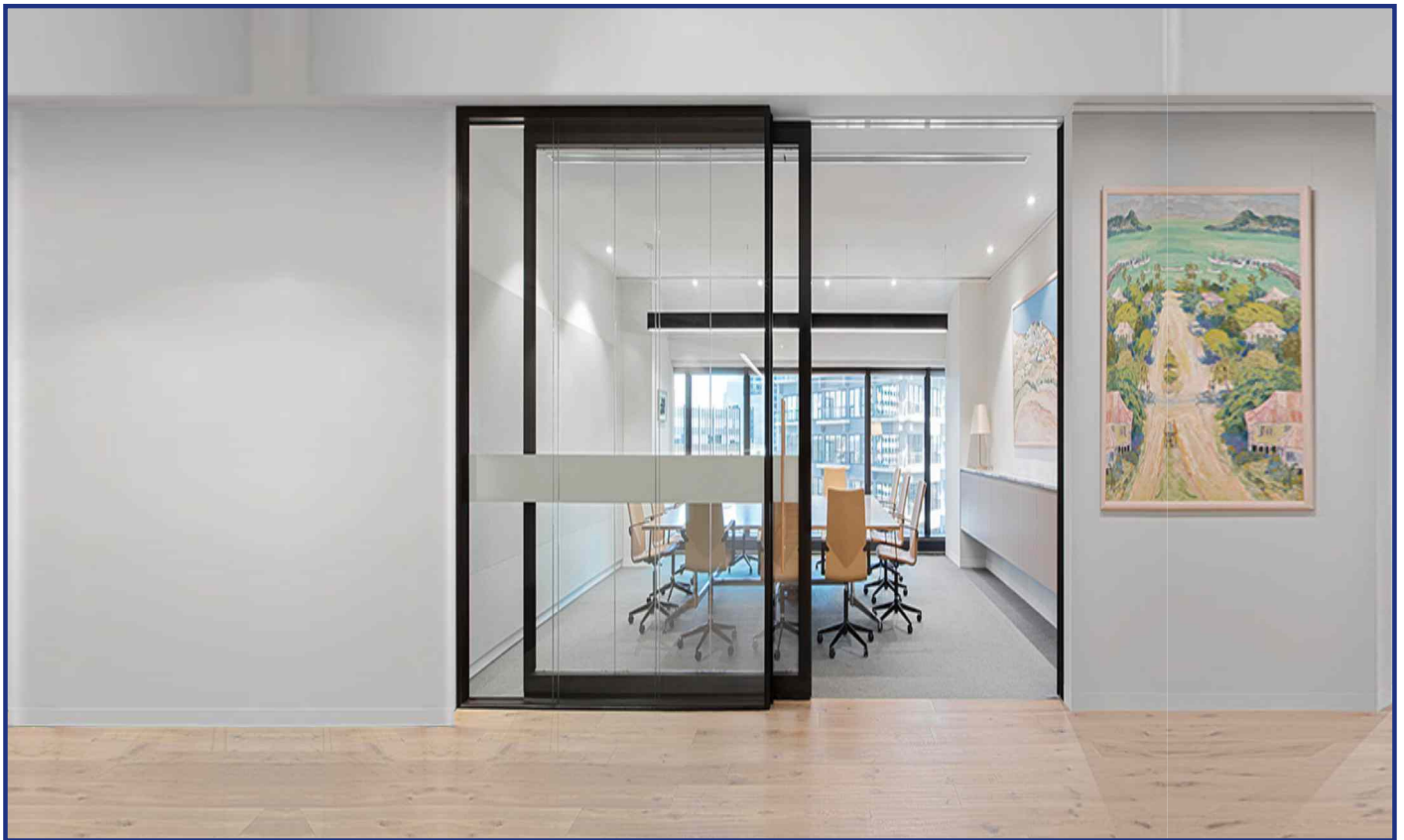


Features

- TAVIC Systems provide a portal profile to incorporate all available series with TAVIC, Giving exclusive design elements and unique solutions for access control device installation As well as arranging space for meeting scheduler devices.
- Panels come in size of 45mm and 100mm series which merge with both TAVIC 25 series, TAVIC 45series, TAVIC 75mm series, TAVIC 100mm series and 100mm DG Series.
- **Shades Available:** Silver Anodized / Blackmat Mill finish available
- **Compatible to glass thickness:** 8mm & 12mm Clear Toughened.
- Partition height can be considered upto 3000 mm.



SLIDING SYSTEM



Features

- Sliding door system enables glass doors to retain their minimalist aesthetics.
- Sliding glass doors provide huge space benefit and minimalist design. When combined with proven roller technology, it ensures that even high doors can be operated smoothly and with easily.



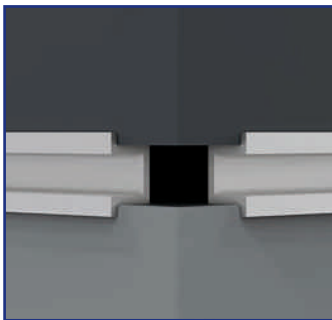
ACCESSORIES



SKIRTING Frames (TAP-SK 50/75/100)

Height: 50mm/75mm/100mm Length: 3000 mm

TAVIC skirting comes in various sizes End cap is provided and available in PVC matching color TAVIC skirting are supplied with protection film to prevent damage or scratch, can be easily removed after completion of site.



HAT SECTION (TAP-HS 05/08/10)

Width: 5 mm/8mm/10mm Length: 3000mm

TAVIC Hat decorative profiles are designed to make wall design visually attractive and complex detailing easy.

Used between the junction of two materials installed on the wall.

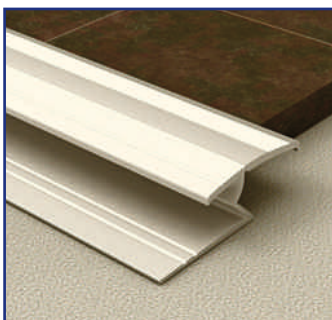


CORNER GUARD (TAP-CG 12/15/19/25)

Width : 12mm x 12mm / 15mm x 15mm / 19mm x 19mm/25mm x 25mm Length: 3000 mm

TAVIC Corner guard provides safety for outside wall corners, its economical and ideal option. Edges are tempered for smooth finish.

Supplied with protection film and tape to prevent damage or scratch, can be easily removed after completion of site.



Z CARPET PROFILE (TAP-ZC)

TAVIC Z carpet profile is transition between carpet/vinyl to any other surface.

Length: 3000 mm Width: 29mm.

Screws are hidden on the bottom making the surface clear & provides a smooth



TRANSITION CARPET PROFILE (TAP-TC)

TAVIC transition carpet profile is used between carpet / laminate /vinyl

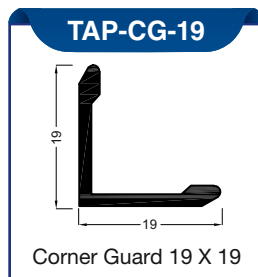
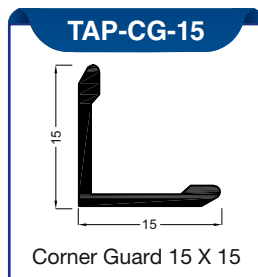
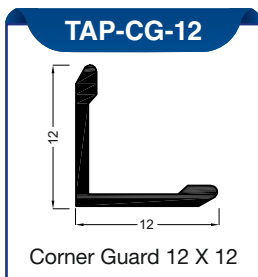
Length: 3000 mm Width: 32 mm.

Screws are hidden on the bottom making the surface clear & provides a smooth

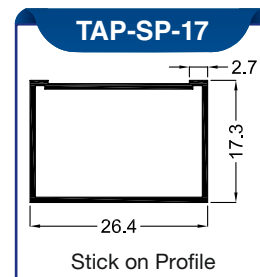
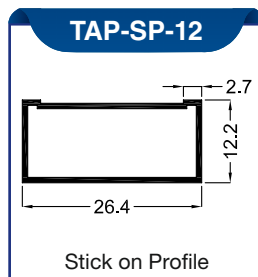
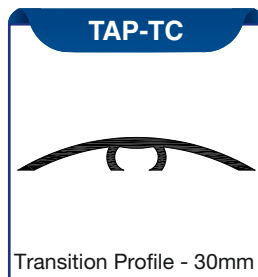
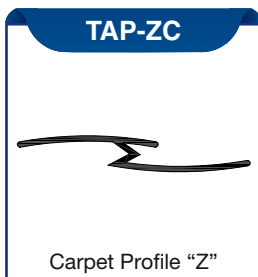
SKIRTING



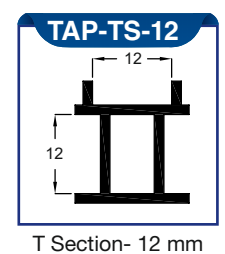
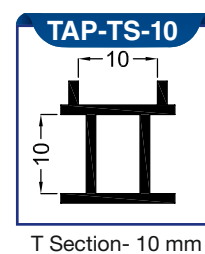
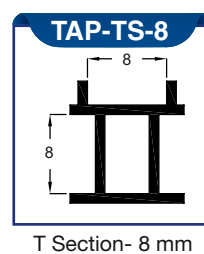
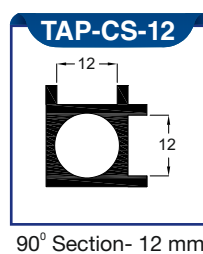
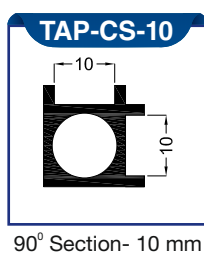
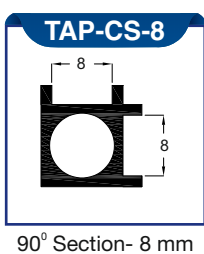
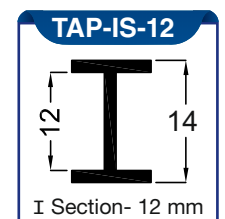
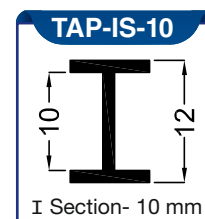
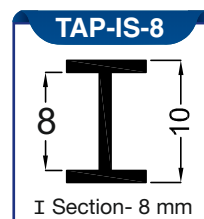
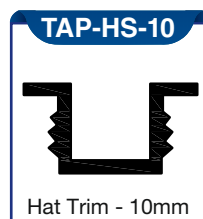
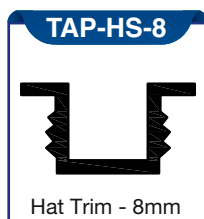
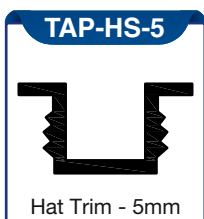
CORNER GUARD



CONNECTORS



SECTIONS



HARDWARE FOR SLIM FRAMED OFFICE PARTITIONS

Available Finishes
Silver & Black Matt

TAGHL-11 SET

K2K K2K

K2N K2N

Lock & Handle set
Available in K2K & K2N

TAGHL-33 SET

K2K K2K

K2N K2N

Lock & Handle set
Available in K2K & K2N

TAGH-1

Wall to Glass 90°
Aluminum Door Hinge
for Door Weight = 45kg

TAP-STYLE ROD (2mtrs)

TML-HL (20MM)

Hook Lock for
Steel / Wooden Door

TAGL-11-SB

Strike Box for D type glass
Door Lock

TAV-GASKET

Normal Gasket
8,10,12mm

Bubble Gasket

Inner Gasket

TAP-TAPE

6, 8, 10, 12 & 25mm

Double Gum Tape Role 10 Meters



Tubular Mortise Handle for Narrow Style Doors



Narrow Style Lock body with Latch & Dead Bolt



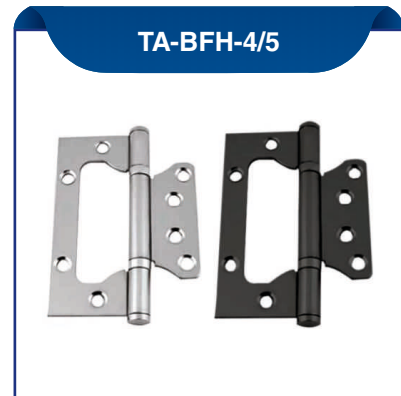
Narrow Style Lock body with Dead Bolt



Both Side Keys



One side key & One side knob



Butterfly Hinge



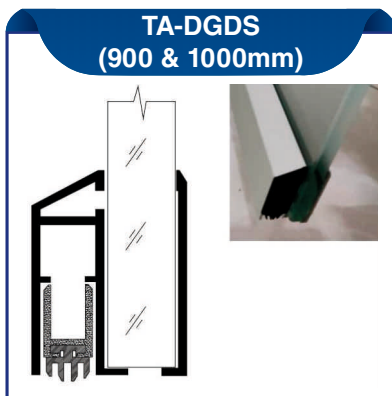
Glass Door Handle With integral Lock



Offset Handles



D & H Type Handles



Drop Down Seal for Frame less Glass Doors

Features

TA- DWDS

- Available in 900mm & 1000mm
- Unilateral Sealing
- Max. Sealing Height:12mr
- Slotting Width: 15mm
- Shell Material: Aluminium
- Strip: PVC
- Color: Silver & Black Matte




Drop Down Seal for Framed Doors



TSK-800

Black & Silver

Maximum Door Weight : 80kg
Maximum Door Width : 1200mm
5 Lakh Cycles Tested



TSK-900

Black & Silver

Maximum Door Weight : 90kg
Maximum Door Width : 1200mm
5 Lakh Cycles Tested



CERTIFICATE OF CONSTANCY OF PERFORMANCE

0905-CPR-000735-01

In compliance with Regulation (EU) No 305/2011 of the European Parliament and of the Council of 9 March 2011 (the Construction Products Regulation or CPR), this certificate applies to the construction product(s)

Product(s): Building hardware - Controlled door closing devices - Requirements and test methods (refer to attached appendix for details and conditions)
Placed on the market under the name or trade mark of: Taiton Hardware Pvt Ltd 8-3-677/21, Yella Reddy Guda, Hyderabad, Telangana 500073
and produced in the manufacturing plant(s): Taiton Hardware Pvt Ltd 8-3-677/21, Yella Reddy Guda, Hyderabad, Telangana 500073
Intended use: On fire and smoke compartmentation doors (to fulfill the self-closing requirements of such doors)

This certificate attests that all provisions concerning the assessment and verification of constancy of performance described in Annex ZA of the standard(s):

EN 1154:1996/A1:2002/AC:2006

Under System 1 for the performances set out in this certificate are applied and that the performance of the construction product fulfils all the prescribed requirements for these performances.

This certificate replaces **Q359-CPR-000735-01** first issued on **2018-12-18** and will remain valid as long as the test methods and/or factory production control requirements included in the harmonised standard, used to assess the performances of the declared essential characteristics, do not change, and the construction product, and the manufacturing conditions in the plant are not modified significantly, unless suspended or withdrawn by the product certification body.

The issued document and statement(s) herein makes reference only to a presumption of conformity in accordance with the CPR Regulations EU 305/2011 (as amended). However, it is the manufacturer's or their authorised representative's sole responsibility to affix the CE logo and, by doing so, confirms full compliance and conformity to all other European mandatory directives and regulations that may also apply.



Signature:  **Date:** 2019-09-10
Name: Dipl.-Ing. Roland Heine **Issue:** 01
Position: Certification Manager



TSK-ACC-800-PLATE

Black & Silver

Plate for Mounting Door Closer on Glass



TSK-ACC-900-PLATE

Black & Silver

Plate for Mounting Door Closer on Glass

This Certificate is for the exclusive use of Intertek's client and is provided pursuant to the agreement between Intertek and its Client. Intertek's responsibility and liability are limited to the terms and conditions of the agreement. Intertek assumes no liability to any party, other than to the Client in accordance with the agreement, for any loss, expense or damage occasioned by the use of this Certificate. Only the Client is authorized to permit copying or distribution of this Certificate and then only to its entities. Any use of the Intertek name or one of its marks for the sale or advertisement of the tested material, product or service must first be approved in writing by Intertek.

Intertek Deutschland GmbH, Stangenstraße 1, 70771 Leinfelden-Echterdingen
Tel.: +49 711 27311-0 E-Mail: nb0905@intertek.com Web: www.intertek.de

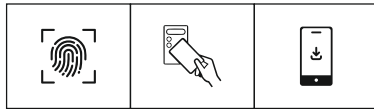
01705 Page 1 of 3 REF: EIL-NR-PB-75-75

DIGITAL BIOMETRIC LOCKS

TAM-DL-SLIMSEC

Slim Digital Biometric Lock for uPVC & Aluminium Profile Doors

FEATURES :-



300 Fingerprint Capacity

300 Card Capacity

Mobile App



Password Pin

Manual Key

USB Interface



Touch keypad with Backlight & Waterproof Surface

NEW ARRIVAL
ORDER NOW >



BIOMETRIC & DIGITAL GLASS DOOR LOCKS

NO Glass Cutout Required



TAM-DL-G2G BLACK
For Swing Door Lock With Strike Box



TAM-DL-G2W BLACK
For Swing Door Lock With Strike Plate



TAM-SDL-W2W-BLACK
For Woden Sliding Door



TAM-SDL-G2G-BLACK
For Glass Sliding Door

Features of RFID Locks:

- 5 way unlocking - Fingerprint, IC Card Password, Key & Remote Control
- Easy installation, no need Glass Preparation
- Automatic locking function
- Dual combination access
- Touch keypad with backlight & waterproof surface
- LED color screen to view all operations
- USB interface for emergency power supply
- Rotary switch & unlock button inside
- Low battery indicator • Door bell function
- Suitable for glass door thickness 10-12mm
- Finger print capacity: 100 pcs
- Card capacity: 1000 pcs
- Password capacity: 1000 pcs
- Admissible Temperature: (-20°C to 55°C)
- Power supply - 4 x AA battery (4.5V - 6.5V)



TAM-DL-W2W

Digital Woode Door Lock for Swing Door Without Cutout (wall /wood to wooden door)



TAM-DL-W2W-E

Economic series Digital Wooden Door Lock for Swing Door without Remote and without screen Without Cutout (wall /wood to wooden door)



TAM-RF-DR1



TAM-DL-REMOTE
Remote Control



MANUAL SLIM FRAMED SLIDING SYSTEMS



Available Finishes



GRAY



BRUSH GOLD



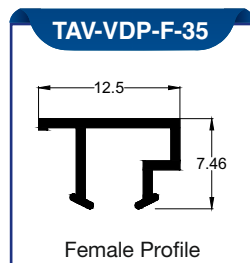
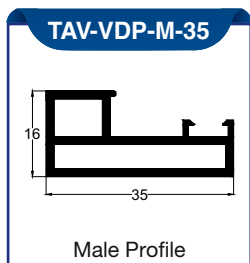
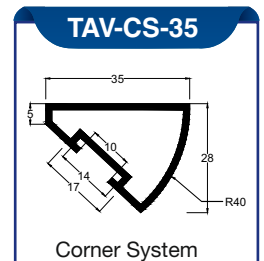
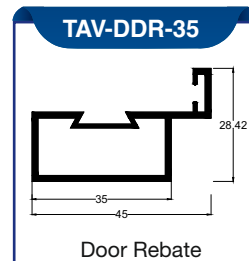
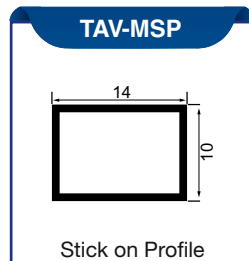
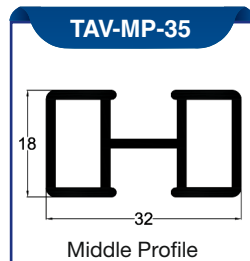
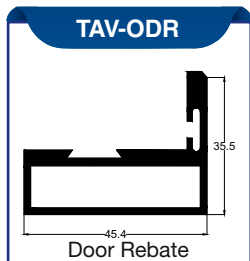
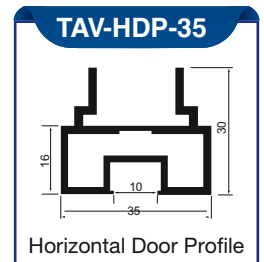
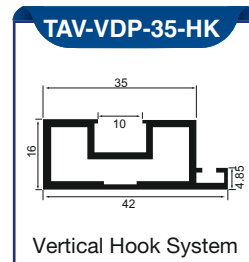
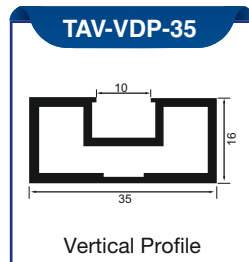
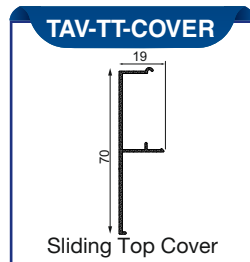
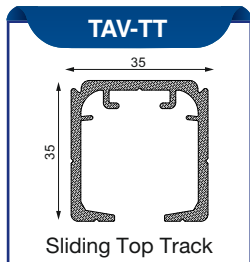
BLACK



ROSE GOLD



CHAMPAGNE



THE WORLD OF TAITON



GLASS HARDWARE



DOOR CONTROL HARDWARE



AUTOMATICS



TAVIC



maxia



ELECTRONIC LOCKS



SLIDING FOLDING SYSTEMS



SLIDING SYSTEMS



RAILINGS



Scan QR Code
for Website



Follow us on:



BEST SUITED FOR



Residences



Retail Store



Hospitality



Educational
Institutions



Shopping Malls



AirPorts



Automobile
Showrooms



Commercial
Buildings



Sports
Complex



Corporate
Offices



HYDERABAD

#8-3-677/21, Sri Krishna
Devaraya Nagar, Yellareddyguda,
Hyderabad - 500073
Tel : +91-9063090009
E-mail : customercare@taiton.in

KERALA (COCHIN)

Door No. 42/2200 C to C5
Arakkakadavu Road
Vennala P.O, Ernakulam - 682028
Ph no: 0484-3522156
9946104308, 9946104309
Email :vm@taiton.in

TAMIL NADU (CHENNAI)

+91 9677006697

ANDHRA PRADESH (VIJAYAWADA)

+91 9553527711

NEW DELHI

D-15A, FF, Lajpat Nagar II,
New Delhi - 110024
Tel : +91-11- 35551720, 45040117
E-mail : taitondelhi@taiton.in

KERALA (TRIVANDRUM)

TC 84/2248 (1), Ground floor
NH Bypass, Enchakkal
Thiruvananthapuram Pin – 695008
Ph no: 0471 2476315, 8129124452

www.taiton.in

BANGALORE

SM Lake Pride,#168,
13th Main Road,
Sector 5, HSR Layout,
Bangalore - 560102
Tel : +91-9591491115

KERALA (CALICUT)

Door No 65/3058, Ground Floor
Meridiyan Mansion Shopping
Complex Near Manorama Jn,
Wayanad Road, Calicut – 673001
Ph no: 0495 4013355, 9946104308,
9946104309, 8129124452

MAHARASHTRA - GUJARAT

+91 8999920000

EXPORTS

+91 7428097601
exports@taiton.in

Auth. Partner