

*Premium*®



**Steel &  
Aluminum**  
Fittings



## **PREMIUM: Precision, Performance, Perfection in Hardware**

Since 1994, we've been on a mission to blend quality and customer satisfaction into every piece of hardware we craft. Welcome to PREMIUM, where our name says it all!

### **Our Story**

It all started in 1994, and since then, we've never looked back. Our relentless pursuit of excellence has led us to establish a state-of-the-art manufacturing facility in Jamnagar, Gujarat, India.

### **What We Do**

PREMIUM is your go-to brand for exclusive building hardware fittings. Our products are known for their stellar performance, thanks to cutting-edge technology and machines that churn out hardware with zero defects. Whether you need a small batch or a massive order, we've got the capacity and the expertise to deliver consistent, top-notch quality every time.

### **Why Choose PREMIUM ? Top-Notch Quality**

We don't just aim for high performance; we hit the bulls eye. Our sophisticated production facilities ensure that every product that leaves our plant is flawless.



Premium<sup>®</sup>



### Advanced Infrastructure

Our facility isn't just about making great hardware; it's about ensuring it gets to you in perfect condition. Our advanced packaging equipment guarantees your products are safe and sound during transit.

### Innovation at Our Core

Our dedicated R&D team is the heartbeat of our innovation. They're always on the hunt for ways to enhance our current offerings and develop new products that set industry standards.

PREMIUM is more than just a brand; it's a promise of quality, innovation, and unmatched performance. Join us on our journey of creating hardware that's not only functional but also phenomenal.

### The PREMIUM Advantage

**Precision :** We use the latest technology to ensure every piece of hardware is crafted to perfection.

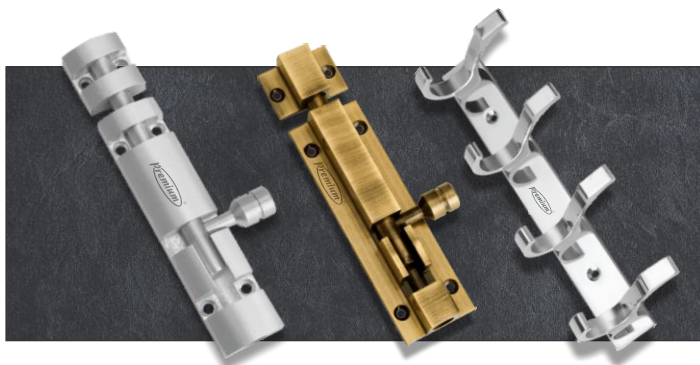
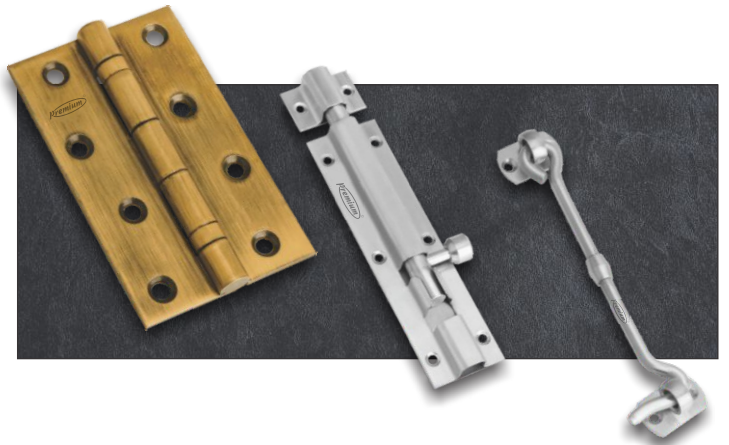
**Performance :** Our products are built to last and perform exceptionally in every setting.

**Perfection :** From production to packaging, we strive for excellence in every step.

# Contents

## STEEL FITTINGS

CODE	PRODUCTS	PAGE NO.
P3001-P3034	Steel Hinges (202 Grade)	02
P3041-P3046	Steel Hinges (304 Grade)	02
P3051-P3055	Steel Bearing Hinges (202 Grade)	03
P3061-P3065	Steel Bearing Hinges (304 Grade)	03
P3071-P3094	Steel "L" Hinges	03
P3101-P3102	Steel Butterfly Hinges	04
P3111-P3112	Steel Spring Hinges	04
P3121-P3122	Steel Flag Hinges	04
P3131-P3138	Steel Parliament Hinges (4mm)	04
P3141-P3145	Steel T Hinges (1.8mm)	04
P3151	Steel Tower Bolt - 10mm Medium	05
P3161	Steel Tower Bolt - 10mm Heavy	05
P3171	Steel Tower Bolt - 12mm	05
P3181	Steel Tower Bolt - Crancked	06
P3191	Steel Tower Bolt - 12mm Heavy Matt	06
P3201	Brass Tower Bolt - 9mm (Steel Rod-Knob)	06
P3211	Brass Tower Bolt - 12mm (Steel Rod-Knob)	06
P3221	Steel "D" Brackets	07
P3231-P3235	Steel "F" Brackets (Adjustable)	07
P3241-P3244	Steel "S/L" Brackets	07
P3251-P3273	Steel Screw (204 Grade)	08
P3281-P3296	Steel Dry Wall Screw (204 Grade)	08
P3301-P3333	Steel Chip Board Screws (304 Grade)	09
P3351-P3356	Gate Hooks (Classic)	09



## ALUMINUM FITTINGS

CODE	PRODUCTS	PAGE NO.
P4001	Aluminum - Zorik 9mm (Steel Rod)	11
P4011	Aluminum - Big Zorik 12mm (Steel Rod)	11
P4021	Aluminum - Big Zorik Crancked 9mm (Steel Rod)	11
P4031	Aluminum - New Marble 9mm (Steel Rod)	12
P4041	Aluminum - Square 9mm (Steel Rod)	12
P4051	Aluminum - Square 12mm (Steel Rod)	12
P4061	Aluminum - Apple 9mm (Steel Rod)	12
P4071	Aluminum - Apple 12mm (Steel Rod)	12
P4081-P4082	Aluminum - Zorik Baby Latch (Steel Rod)	13
P4091-P4092	Aluminum - Polo Baby Latch (Steel Rod)	13
P4101-P4102	Aluminum - Square Baby Latch (Aluminum Rod)	13
P4111	Aluminum - One Pcs 9mm (Steel Rod)	14
P4121	Aluminum - One Pcs 12mm (Steel Rod)	14
P4131	Aluminum - Round (Steel Rod)	14
P4141	Aluminum - Khutti	15
P4151	Aluminum - Khutti	15
P4161	Aluminum - Khutti	15



STAINLESS STEEL  
FITTINGS

## Steel Hinges

(Rate Per Pcs)

CODE	SIZE	202 GRADE		
	MM	S.S.	ANT.	MATT
P3001	75 X 12 X 19	52	60	73
P3002	75 X 19 X 19	54	63	77
P3003	75 X 16g	57	72	87
P3004	75 X 14g	70	88	120
P3005	100 X 14g	100	120	155
P3006	125 X 14g	133	155	200
P3007	75 X 12g	100	120	150
P3008	100 X 12g	133	155	203
P3009	125 X 12g	163	214	277
P3010	150 X 12g	225	281	359
P3011	100 X 10g	225	281	346
P3012	125 X 10g	278	345	432
P3013	150 X 10g	349	428	536
P3014	125 X 37 X 3	372	451	545
P3015	125 X 31 X 4	425	531	643
P3016	125 X 37 X 4	510	616	741
P3017	150 X 37 X 3	446	542	656
P3018	150 X 31 X 4	544	659	794
P3019	150 X 37 X 4	595	722	872
P3020	200 X 31 X 3	544	659	797
P3021	200 X 37 X 3	595	722	877
P3022	200 X 31 X 4	701	854	1034
P3023	200 X 37 X 4	765	935	1138
P3024	200 X 50 X 4	1063	1275	1522
P3025	250 X 31 X 3	748	897	1070
P3026	250 X 37 X 3	799	960	1152
P3027	250 X 31 X 4	858	1050	1275
P3028	250 X 37 X 4	999	1211	1463
P3029	250 X 50 X 4	1309	1572	1881
P3030	300 X 31 X 3	880	1058	1265
P3031	300 X 37 X 3	960	1156	1387
P3032	300 X 31 X 4	1012	1241	1511
P3033	300 X 37 X 4	1194	1454	1759
P3034	300 X 50 X 4	1615	1934	2309



## Steel Hinges

(Rate Per Pcs)

CODE	SIZE	304 GRADE	
	MM	S.S.	ANT.
P3041	75 X 12g	142	165
P3042	100 X 12g	232	270
P3043	125 X 12g	319	364
P3044	100 X 10g	380	400
P3045	125 X 10g	460	490
P3046	150 X 10g	520	570



## Steel Bearing Hinges

(Rate Per Pcs)

CODE	SIZE	202 GRADE	
	MM	S.S.	ANT.
P3051	100 X 12g	195	240
P3052	125 X 12g	233	278
P3053	100 X 75 X 3	300	380
P3054	125 X 75 X 3	356	485
P3055	150 X 75 X 3	450	605



## Steel Bearing Hinges

(Rate Per Pcs)

CODE	SIZE	304 GRADE	
	MM	S.S.	ANT.
P3061	100 X 12g	260	290
P3062	125 X 12g	320	350
P3063	100 X 75 X 3	430	460
P3064	125 X 75 X 3	520	550
P3065	150 X 75 X 3	600	640



## Steel "L" Hinges (2MM)

(Rate Per Pcs)

CODE	SIZE	STANDARD FINISH
	MM	
P3071	75 X 12 X 6	133
P3072	75 X 12 X 12	148
P3073	75 X 12 X 19	162
P3074	75 X 12 X 25	188
P3075	75X19X6	172
P3076	75 X 19 X 12	188
P3077	75 X 19 X 19	204
P3078	75X19X25	232
P3079	75X25X6	212
P3080	75X25X12	232
P3081	75X25X19	252
P3082	75X25X25	284
P3083	100X12X6	178
P3084	100 X12 X12	198
P3085	100 X12 X19	216
P3086	100X12X25	252
P3087	100 X19X6	230
P3088	100 X19X12	252
P3089	100 X 19 X 19	276
P3090	100X19X25	320
P3091	100X25X6	284
P3092	100X25X12	310
P3093	100X25X19	336
P3094	100X25X25	388



## Steel Butterfly Hinges

(Rate Per Pcs)

CODE	SIZE	S.S FINISH
	MM	
P3101	100	280
P3102	125	364



## Steel Spring Hinges

(Rate Per Pcs)

CODE	SIZE	S.S FINISH
	MM	
P3111	100	570
P3112	125	750



## Steel Flag Hinges

(Rate Per Pcs)

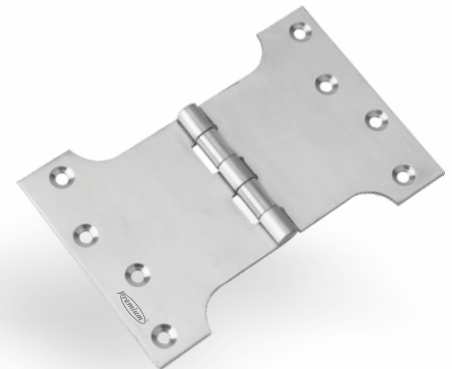
CODE	SIZE	S.S FINISH
	MM	
P3121	100	168
P3122	125	215



## Steel Parliament Hinges (4 mm)

(Rate Per Pcs)

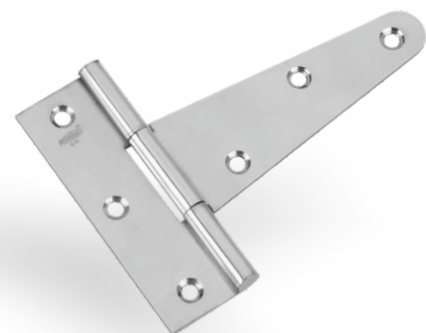
CODE	SIZE	FINISH	
	MM	S.S.	ANT.
P3131	100 X 50	469	540
P3132	100 X 75	581	675
P3133	100 X 100	694	795
P3134	100 X 125	806	919
P3135	125 X 100	863	975
P3136	125 X 125	1050	1181
P3137	125 X 150	1238	1380
P3138	125 X 200	1425	1688

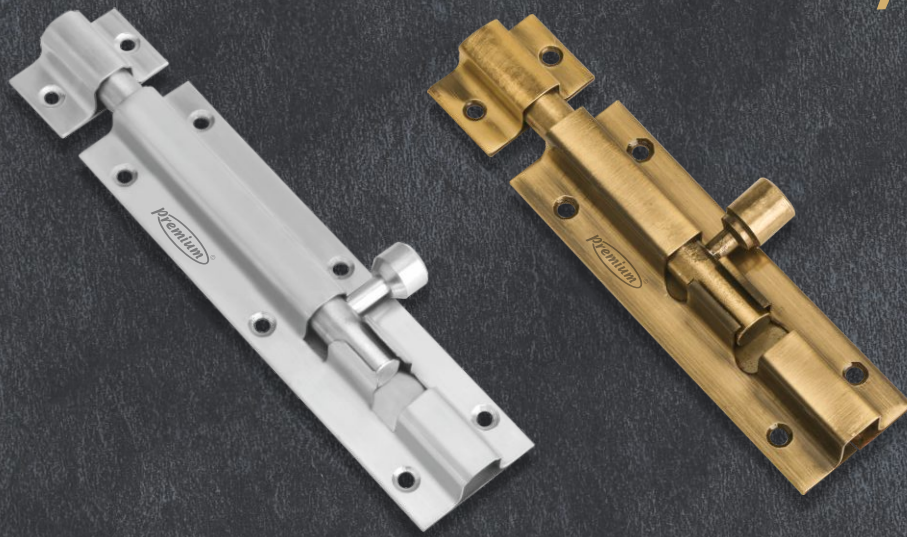


## Steel 'T' Hinges (1.8 mm)

(Rate Per Pcs)

CODE	SIZE	FINISH S.S.
	MM	
P3141	100 x 14	188
P3142	150 x 14	203
P3143	200 x 14	240
P3144	250 x 14	263
P3145	300 x 14	281

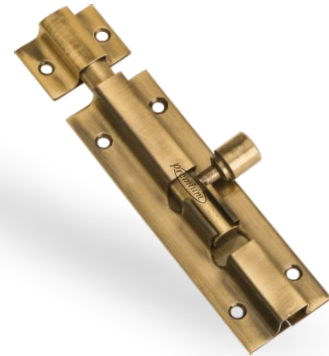




## Steel Tower Bolt (10 mm) Medium

(Rate Per Inch)

CODE	SIZE		FINISH		
	INCH	MM	S.S.	ANT.	
P3151	3" to 12"	75 to 300	29	36	



## Steel Tower Bolt (10 mm) Heavy

(Rate Per Inch)

CODE	SIZE		FINISH		
	INCH	MM	S.S.	ANT.	MATT BLACK
P3161	4" to 12"	100 to 300	42	49	58



## Steel Tower Bolt (12 mm) (Rate Per Inch)

CODE	SIZE		FINISH		
	INCH	MM	S.S.	ANT.	MATT BLACK
P3171	4" to 12"	100 to 300	50	60	70



## Steel Tower Bolt Crancked

(Rate Per Inch)

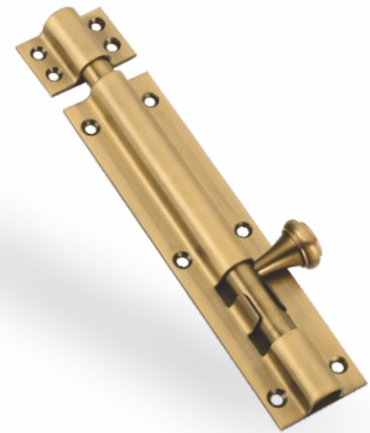
CODE	SIZE		FINISH	
	INCH	MM	S.S.	ANT.
P3181	4" to 8"	100 to 200	32	40



## Steel Tower Bolt (12 mm) Heavy Matt

(Rate Per Inch)

CODE	SIZE		FINISH		
	INCH	MM	MATT S.S.	MATT ANT.	MATT BLACK
P3191	4" to 12"	100 to 300	90	100	110



## Brass Tower Bolt (9 mm) (Steel Rod-Knob)

(Rate Per Inch)

CODE	SIZE		FINISH	
	INCH	MM	S.S.	ANT.
P3201	3" to 12"	75 to 300	80	80



## Brass Tower Bolt (12 mm) (Steel Rod-Knob)

(Rate Per Inch)

CODE	SIZE		FINISH	
	INCH	MM	S.S.	ANT.
P3211	4" to 12"	100 to 300	120	120





## Steel "D" Brackets

(Rate Per Pcs)

CODE	SIZE		FINISH
	INCH	MM	STANDARD
P3221	2 (8mm, 12mm)	50 (8mm, 12mm)	56



## Steel F Brackets (Adjustable)

(Rate Per Pcs)

CODE	SIZE		FINISH
	INCH	MM	S.S.
P3231	4"	100	112
P3232	6"	150	130
P3233	8"	200	155
P3234	10"	250	185
P3235	12"	300	210



## Steel S/L Brackets

(Rate Per Pair)

CODE	SIZE		FINISH	
	INCH	MM	S.S.	ANT.
P3241	6"	150	380	488
P3242	8"	200	418	526
P3243	10"	250	460	570
P3244	12"	300	505	615



## Steel Screw (204 Grade)

(Rate Per 100 Pcs)

CODE	SIZE	FINISH			
		S.S.	ANT.	MATT	PVD
P3251	4 X 13	117	130	136	723
P3252	4 X 16	131	145	151	737
P3253	4 X 19	144	159	166	750
P3254	5 X 19	172	189	199	778
P3255	6 X 13	145	166	192	750
P3256	6 X 19	176	195	203	782
P3257	6 X 25	242	268	280	848
P3258	6 X 32	276	304	315	934
P3259	6 X 38	342	376	393	1005
P3260	6 X 50	525	580	610	1130
P3261	7 X 25	280	308	322	938
P3262	8 X 19	266	293	306	924
P3263	8 X 25	306	339	354	912
P3264	8 X 32	375	410	430	978
P3265	8 X 38	425	470	493	1035
P3266	8 X 50	565	625	650	1170
P3267	8 X 60	810	895	925	1660
P3268	8 X 75	1410	1520	1560	2980
P3269	10 X 32	500	553	580	1105
P3270	10 X 38	550	605	635	1155
P3271	10 X 50	750	830	865	1355
P3272	10 X 60	1490	1650	1720	2400
P3273	10 X 75	2460	2715	2840	3370



## Steel Dry Wall Screw (204 Grade)

(Rate Per 100 Pcs)

CODE	SIZE	FINISH	
		S.S.	ANT.
P3281	6 X 13	164	204
P3282	6 X 16	178	218
P3283	6 X 19	191	231
P3284	6 X 25	238	278
P3285	6 X 32	312	382
P3286	6 X 38	369	439
P3287	6 X 50	491	561
P3288	8 X 13	202	242
P3289	8 X 16	244	284
P3290	8 X 19	270	310
P3291	8 X 25	342	382
P3292	8 X 32	421	491
P3293	8 X 38	486	556
P3294	8 X 50	673	743
P3295	8 X 60	951	1021
P3296	8 X 75	1228	1338



## Steel Chip Board Screws

(304 Grade)

(Rate Per 100 Pcs)

CODE	SIZE	FINISH		
		S.S.	ANT.	PVD
P3301	4 X 13	139	170	232
P3302	4 X 16	156	191	260
P3303	4 X 19	169	206	282
P3304	4 X 25	178	218	297
P3305	5 X 13	163	200	272
P3306	5 X 16	180	220	300
P3307	5 X 19	202	247	337
P3308	5 X 25	238	290	396
P3309	6 X 13	167	204	278
P3310	6 X 16	191	234	319
P3311	6 X 19	210	256	350
P3312	6 X 25	290	354	483
P3313	6 X 32	332	406	554
P3314	6 X 38	449	549	749
P3315	7 X 25	336	411	560
P3316	7 X 32	410	501	684
P3317	8 X 19	330	404	551
P3318	8 X 25	366	447	609
P3319	8 X 32	446	545	742
P3320	8 X 35	488	597	814
P3321	8 X 38	520	635	866
P3322	8 X 50	622	760	1036
P3323	8 X 60	937	1145	1562
P3324	8 X 75	1444	1765	2407
P3325	10 X 19	594	726	990
P3326	10 X 25	601	735	1002
P3327	10 X 32	609	744	1015
P3328	10 X 35	650	794	1083
P3329	10 X 38	748	914	1247
P3330	10 X 50	843	1030	1405
P3331	10 X 60	1670	2042	2784
P3332	10 X 75	2755	3367	4591
P3333	10 X 100	3408	4165	5680

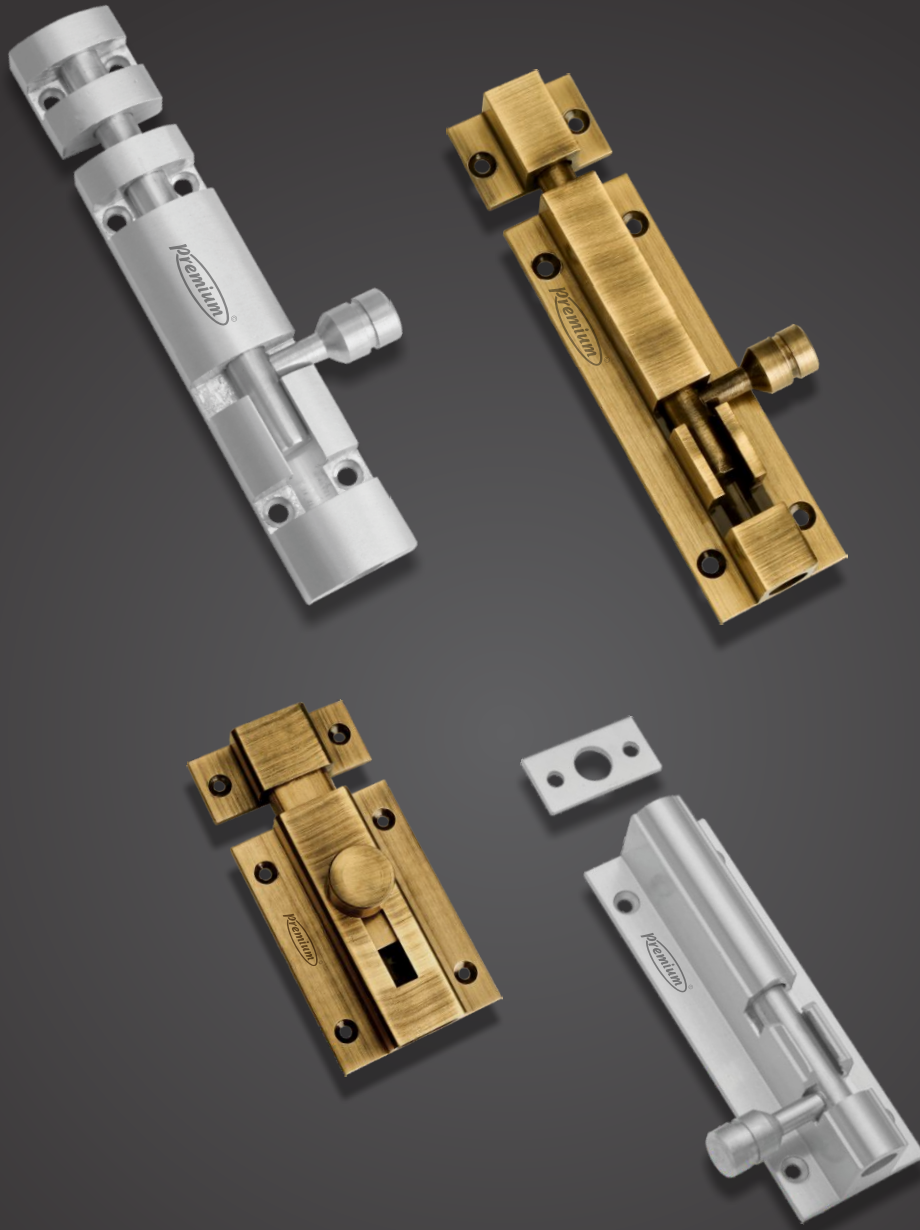


## Steel Gate Hook (Classic)

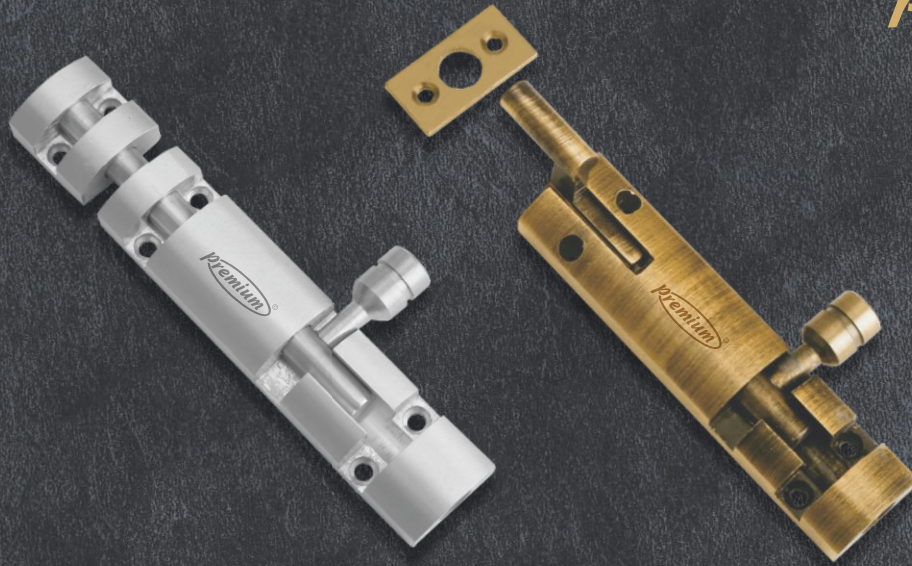
(Rate Per Dozen)

CODE	SIZE		FINISH	
	INCH	MM	S.S.	ANT.
P3351	2"	50	1027	1210
P3352	2.1/2"	65	1037	1222
P3353	3"	75	1046	1243
P3354	4"	100	1066	1254
P3355	5"	125	1075	1274
P3356	6"	150	1094	1296





ALUMINUM  
FITTINGS



## Aluminum Zorik - 9 mm

Steel Rod

(Rate Per Inch)

CODE	SIZE		FINISH		
	INCH	MM	S.S.	ANT.	MATT BLACK
P4001	3" to 18"	75 to 450	41	46	52



## Aluminum Big Zorik 12 mm

(Aluminum Knob) (Steel Rod)

(Rate Per Inch)

CODE	SIZE		FINISH		
	INCH	MM	S.S.	ANT.	MATT BLACK
P4011	6" to 18"	150 to 450	75	80	90

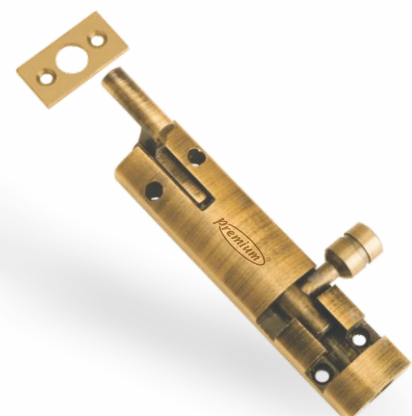


## Aluminum Zorik Crancked

(9 mm) (Steel Rod)

(Rate Per Inch)

CODE	SIZE		FINISH		
	INCH	MM	S.S.	ANT.	MATT BLACK
P4021	4" to 18"	100 to 450	55	60	70



## Aluminum New Marble 9 mm

(Steel Rod)

(Rate Per Inch)

CODE	SIZE		FINISH		
	INCH	MM	S.S.	ANT.	MATT BLACK
P4031	4" to 18"	100 to 450	55	60	66

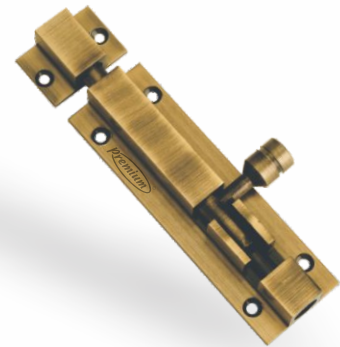


## Aluminum Square 9 mm

(Steel Rod)

(Rate Per Inch)

CODE	SIZE		FINISH		
	INCH	MM	S.S.	ANT.	MATT BLACK
P4041	4" to 18"	100 to 450	45	51	58



## Aluminum Square 12 mm

(Steel Rod)

(Rate Per Inch)

CODE	SIZE		FINISH		
	INCH	MM	S.S.	ANT.	MATT BLACK
P4051	4" to 18"	100 to 450	57	64	72



## Aluminum Apple 9 mm

(Aluminum Knob) (Steel Rod)

(Rate Per Inch)

CODE	SIZE		FINISH		
	INCH	MM	S.S.	ANT.	MATT BLACK
P4061	4" to 24"	100 to 600	44	50	56



## Aluminum Apple 12 mm

(Aluminum Knob) (Steel Rod)

(Rate Per Inch)

CODE	SIZE		FINISH		
	INCH	MM	S.S.	ANT.	MATT BLACK
P4071	4" to 18"	100 to 45	64	70	75

## Aluminum Zorik Baby Latch (Steel Rod)

(Rate Per Inch)

CODE	SIZE		FINISH		
	INCH	MM	S.S.	ANT.	MATT BLACK
P4081	3"	75	52	58	65
P4082	4"	100	52	58	65



## Aluminum Polo Baby Latch (Steel Rod)

(Rate Per Inch)

CODE	SIZE		FINISH		
	INCH	MM	S.S.	ANT.	MATT BLACK
P4091	3"	75	52	58	65
P4092	4"	100	52	58	65



## Aluminum Square Baby Latch (Aluminum Rod)

(Rate Per Inch)

CODE	SIZE		FINISH		
	INCH	MM	S.S.	ANT.	MATT BLACK
P4101	3"	75	72	78	85
P4102	4"	100	72	78	85



## Aluminum One Pcs 9 mm

(Steel Rod)

(Rate Per Inch)

CODE	SIZE		FINISH	
	INCH	MM	S.S.	ANT.
P4111	4" to 12"	100 to 300	45	51

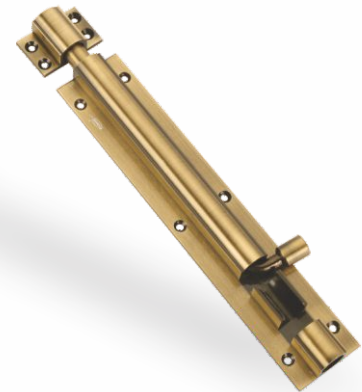


## Aluminum One Pcs 12 mm

(Steel Rod)

(Rate Per Inch)

CODE	SIZE		FINISH	
	INCH	MM	S.S.	ANT.
P4121	4" to 12"	100 to 300	58	64

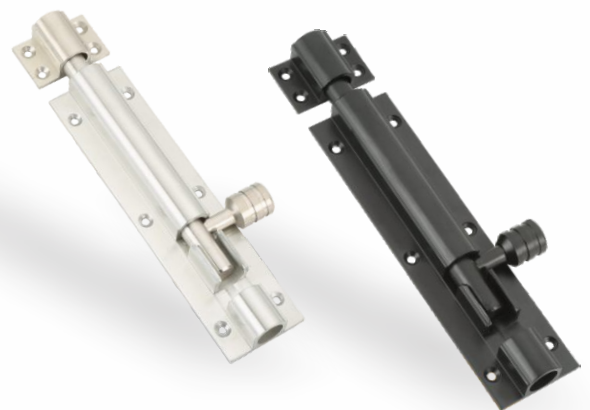


## Aluminum Round

(Steel Rod)

(Rate Per Inch)

CODE	SIZE		FINISH		
	INCH	MM	S.S.	ANT.	MATT/JET BLACK
P4131	4" to 24"	100 to 600	58	64	70



## Aluminum Khutti

(Rate Per Hooks)

CODE	HOOK	FINISH	
		S.S.	ANT. / C.P.
P4141	2" to 8"	60	70



## Aluminum Khutti

(Rate Per Hooks)

CODE	HOOK	FINISH	
		S.S.	ANT. / C.P.
P4151	2" to 8"	60	70



## Aluminum Khutti

(Rate Per Hooks)

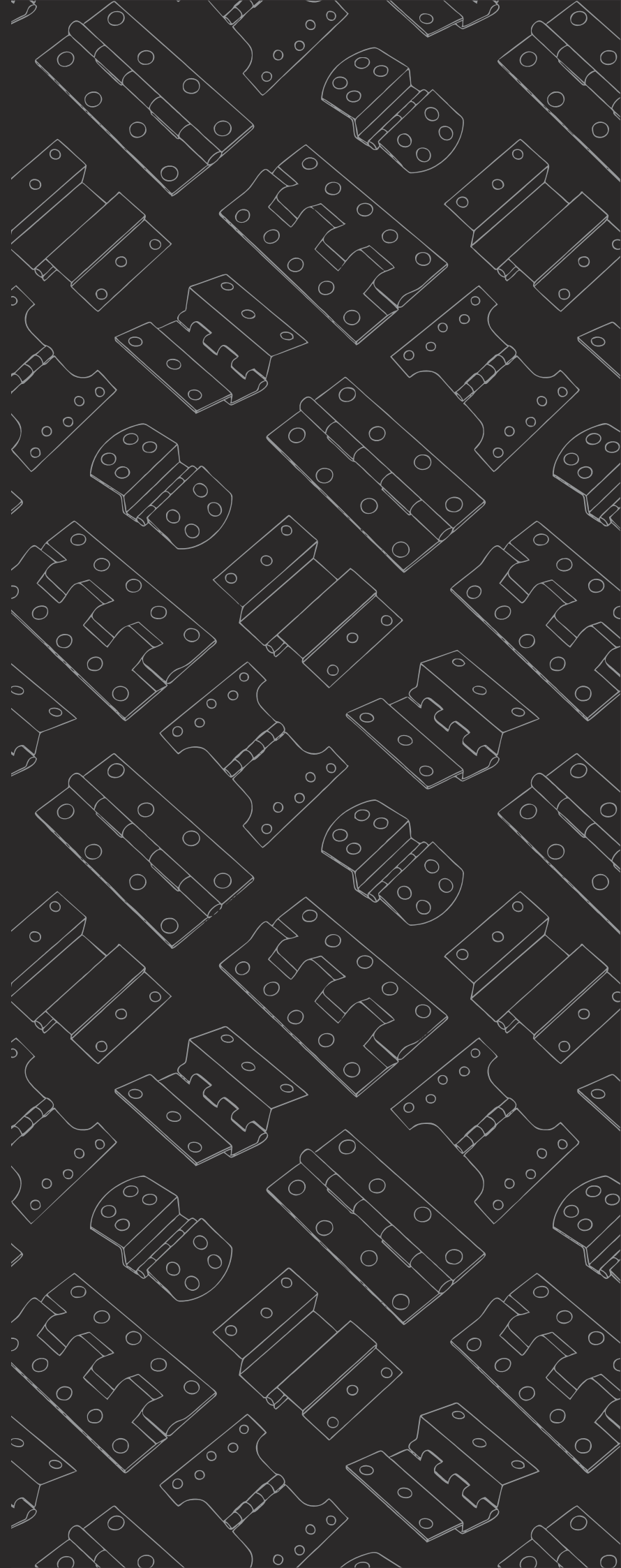
CODE	HOOK	FINISH	
		S.S.	ANT. / C.P.
P4161	2" to 8"	75	80



## Return Policy

- Returns and exchanges accepted within 14 days of purchase.
- Include all original packaging (box, cover, bubble wrap, accessories) for returns/exchanges.
- GST bill required for returns/exchanges.
- Manufacturer's warranty covers product defects.
- Used items or those with altered finishes are not eligible for returns/exchanges.

*Premium*®



# SARIYA PREMIUM

HARDWARE PRODUCTS PRIVATE LIMITED

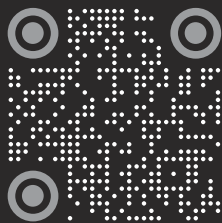
Manufacturers of Brass, S.S. & Aluminium Architectural Products

📍 Plot No. 735, GIDC-II,  
Jamnagar-361004,  
(Gujarat) India.

☎ +91-288-2730442

✉ sariyapremium@gmail.com

🌐 www.premiumbrass.in



एक कदम स्वच्छता की ओर